



# Online Data Sheet

## Encoder WDG 36A

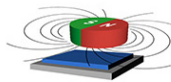
[www.wachendorff-automation.com/wdgn36a](http://www.wachendorff-automation.com/wdgn36a)

### Wachendorff Automation

#### ... systems and encoders

- Complete systems
- Industrial rugged encoders to suit your application
- Standard range and customer versions
- Maximum permissible loads
- 48-hour express production
- Made in Germany
- Worldwide distributor network

# Encoder WDG 36A via NFC configurable



Wachendorff Apps WDG N

- Due to high quality electronics any number of pulses up to 16384 via NFC configurable
- HTL/TTL via NFC configurable
- Protection class IP67, at shaft input IP65
- High output frequency up to 1 MHz
- Reverse polarity protection and short-circuit protection at 4.75 VDC to 32 VDC

[www.wachendorff-automation.com/wdgn36a](http://www.wachendorff-automation.com/wdgn36a)

## Configurable via NFC

Resolution	
Pulses per revolution PPR	1 PPR up to 16384 PPR configurable
Mechanical Data	
Housing	
Flange	servo flange
Flange material	aluminum
Housing cap	Stainless steel, NFC cover: Thermoplastic polyamide
Housing	Ø 36 mm
Shaft(s)	
Shaft material	stainless steel
Starting torque	approx. 0.3 Ncm at ambient temperature
Shaft	Ø 6 mm
Shaft length	L: 11.5 mm
Max. Permissible shaft loading radial	80 N
Max. Permissible shaft loading axial	50 N
Shaft	Ø 8 mm
Shaft length	L: 18 mm
Max. Permissible shaft loading radial	50 N
Max. Permissible shaft loading axial	50 N
Bearings	
Bearings type	2 precision ball bearings
Nominal service life	1.4 x 10 <sup>8</sup> revs. at 100 % rated shaft load 2 x 10 <sup>9</sup> revs. at 40 % rated shaft load 1.7 x 10 <sup>10</sup> revs. at 20 % rated shaft load
Max. operating speed	12000 rpm
Machinery Directive: basic data safety integrity level	
MTTF <sub>d</sub>	1200 a
Mission time (TM)	25 a
Nominal service life (L10h)	1.7 x 10 <sup>10</sup> revs. at 20 % rated shaft load and 12000 rpm
Diagnostic coverage (DC)	0 %
Electrical Data	
Power supply/Current consumption	4,75 VDC up to 32 VDC: typ. 80 mA

Output circuit	HTL HTL, inv. TTL TTL, RS422 compatible, inv.
Pulse frequency	HTL up to 16384 ppr: max. 600 kHz TTL up to 16384 ppr: max. 1 MHz
Channels	ABN CH4 and inverted signals
Load	max. 40 mA / channel
Circuit protection	inverse-polarity and short-circuit protection

Nullimpuls setzen:	Setzen: SET = +UB für 2 s Deaktiviert: SET = GND
--------------------	---

Accuracy	
Phase offset	90° ± max. 8.5 % of the period duration
pulse-/pause-ratio	50 % ± max. 7 %

### Configurable via NFC:

BASIC: (BAS)	
Channels:	ABN and inverted
HTL / TTL	freely selectable
Pulses / revolution:	1 ppr up to 16384 ppr freely selectable

Advanced (ADV):	
Channels:	ABN + CH4 and inverted
HTL / TTL:	freely selectable
Pulses / revolution:	1 ppr up to 16384 ppr freely selectable
Number of pulses for each channel:	individually selectable
Set zero pulse:	yes
Pulse width and position:	Width and position adjustable

### Environmental data

Noise immunity:	
ESD (DIN EN 61000-4-2):	8 kV
EMC: (DIN EN 61000-4-3):	10 V/m
Burst (DIN EN 61000-4-4):	2 kV
High frequency fields (DIN EN 61000-4-6):	10 V
Surge (DIN EN 61000-4-5):	2 kV

**Radio interference:** According DIN EN 55011

**NFC:**

EMC:	According ETSI EN 301 489
RED:	According ETSI EN 300 330
<b>Electrical safety:</b>	According DIN EN 61010-1, UL 61010-1, CSA C22.0 No. 61010-1-12
Vibration: (DIN EN 60068-2-6)	300 m/s <sup>2</sup> (10 Hz up to 2000 Hz)
Shock: (DIN EN 60068-2-27)	1000 m/s <sup>2</sup> (6 ms)
Design:	According DIN VDE 0160

#### General Data

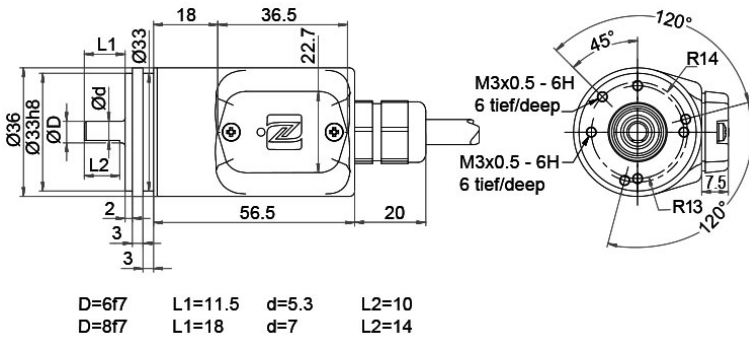
Weight	approx. 130 g
Connections	cable or connector outlet
Protection rating (EN 60529)	Housing: IP65, IP67; shaft sealed: IP65; (IP40 for K1)
Operating temperature	Connector: -40 °C up to +85 °C, cable: -20 °C up to +80 °C
Storage temperature	Connector: -40 °C up to +100 °C, cable: -30 °C up to +80 °C

#### More Information

General technical data and safety instructions  
<http://www.wachendorff-automation.com/gtd>

Options  
<http://www.wachendorff-automation.com/acc>

**Cable connection L2 axial with 2 m cable**



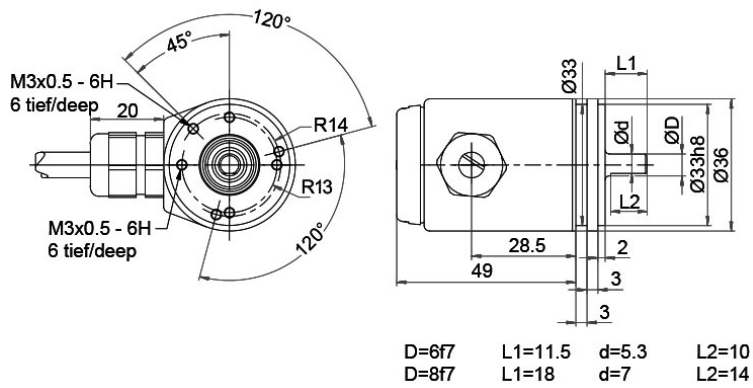
**Description**

ABN inv. poss.

**L2** axial, shield connected to encoder housing

•

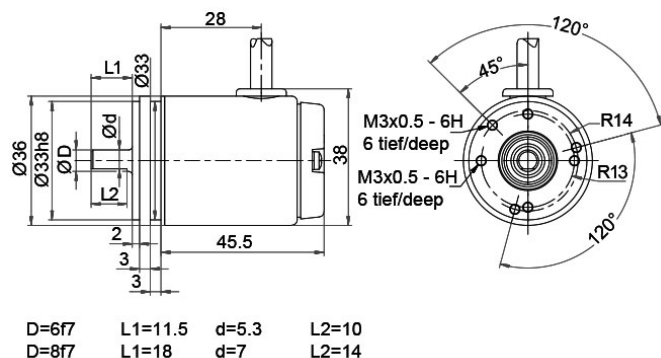
Assignments		
	L2	L2
Circuit	BAS	ADV
GND	WH	WH
(+) Vcc	BN	BN
A	GN	GN
B	YE	YE
N	GY	GY
CH4	-	GYPK
SET	-	PK
A inv.	RD	RD
B inv.	BK	BK
N inv.	VT	VT
CH4 inv.	-	RDBU
Shield	flex	flex

**Cable connection L3 radial with 2 m cabel**

**Description**
**ABN inv. poss.**
**L3** radial, shield connected to encoder housing

•

**Assignments**

	<b>L3</b>	<b>L3</b>
<b>Circuit</b>	BAS	ADV
<b>GND</b>	WH	WH
<b>(+) Vcc</b>	BN	BN
<b>A</b>	GN	GN
<b>B</b>	YE	YE
<b>N</b>	GY	GY
<b>CH4</b>	-	GYPK
<b>SET</b>	-	PK
<b>A inv.</b>	RD	RD
<b>B inv.</b>	BK	BK
<b>N inv.</b>	VT	VT
<b>CH4 inv.</b>	-	RDBU
<b>Shield</b>	flex	flex

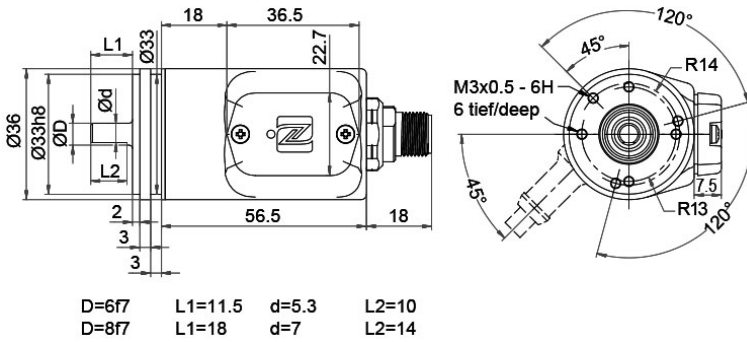
**Cable K1 (IP40) radial with 2 m cable**

**Description**
**ABN inv. poss.**
**K1** radial, shield not connected (IP40)

•

**Assignments**

	<b>K1</b>	<b>K1</b>
<b>Circuit</b>	BAS	ADV
<b>GND</b>	WH	WH
<b>(+) Vcc</b>	BN	BN
<b>A</b>	GN	GN
<b>B</b>	YE	YE
<b>N</b>	GY	GY
<b>CH4</b>	-	GYPK
<b>SET</b>	-	PK
<b>A inv.</b>	RD	RD
<b>B inv.</b>	BK	BK
<b>N inv.</b>	VT	VT
<b>CH4 inv.</b>	-	RDBU
<b>Shield</b>	flex	flex

**Sensor connector (M12x1) SB axial, 8-, 12-pin**



**Description**

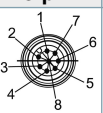
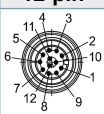
ABN inv. poss.

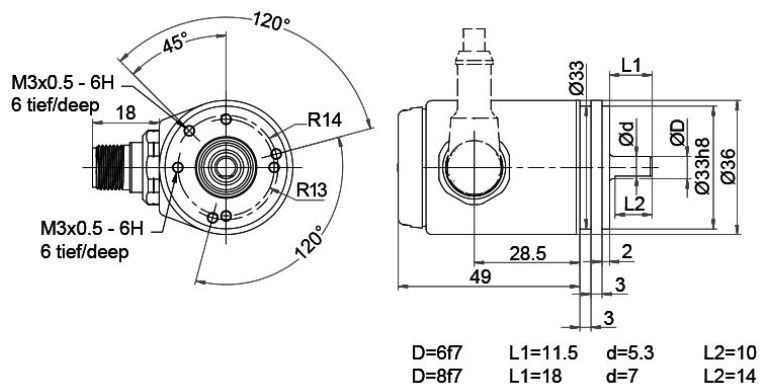
**SB8** axial, 8-pin, Connector connected to encoder housing

•

**SB12** axial, 12-pin, Connector connected to encoder housing

•



Assignments		
	SB8	SB12
	8-pin	12-pin
		
<b>Circuit</b>	BAS	ADV
<b>GND</b>	1	3
<b>(+) Vcc</b>	2	1
<b>A</b>	3	4
<b>B</b>	4	6
<b>N</b>	5	8
<b>CH4</b>	-	11
<b>SET</b>	-	5
<b>A inv.</b>	6	9
<b>B inv.</b>	7	7
<b>N inv.</b>	8	10
<b>CH4 inv.</b>	-	12
<b>n. c.</b>	-	2
<b>Shield</b>	-	-

**Sensor-connector (M12x1) SC radial, 8-, 12-pin**

**Description**
**ABN inv. poss.**
**SC8** radial, 8-pin, Connector connected to encoder housing

•

**SC12** radial, 12-pin, Connector connected to encoder housing

•

Assignments		
	<b>SC8</b>	<b>SC12</b>
	<b>8-pin</b>	<b>12-pin</b>
		
<b>Circuit</b>	BAS	ADV
<b>GND</b>	1	3
<b>(+) Vcc</b>	2	1
<b>A</b>	3	4
<b>B</b>	4	6
<b>N</b>	5	8
<b>CH4</b>	-	11
<b>SET</b>	-	5
<b>A inv.</b>	6	9
<b>B inv.</b>	7	7
<b>N inv.</b>	8	10
<b>CH4 inv.</b>	-	12
<b>n. c.</b>	-	2
<b>Shield</b>	-	-



## Options

### Cable length

### Order key

The encoder WDG 36A can be supplied with more than 2 m cable. The maximum cable length depends on the supply voltage and the frequency; see Downloads: „General technical Data“.

**XXX = Decimeter**

Please extend the standard order code with a three figure number, specifying the cable length in decimetres.

Example: 5 m cable = 050

Example Order No.	Type					Your encoder
WDGN 36A	WDGN 36A					WDGN 36A
	<b>Shaft</b>					
06	06; 08					
	<b>Pulses per revolution PPR:</b>					
X	configurable 1-16384 Other PPRs on request					
	<b>Channels:</b>					
X	ABN, ABN+CH4					
	<b>Output circuit</b>					
BAS	<b>Resolution PPR</b>	<b>Power supply VDC</b>	<b>Output circuit</b>	<b>Light reserve warning</b>	<b>Order key</b>	
	configurable 1-16384	4.75 - 32 4.75 - 32	configurable HTL, TTL (A,B,N + inv.) configurable HTL, TTL (A,B,N,CH4 + inv.)	- -	BAS ADV	
	<b>Electrical connections</b>					
L2	<b>Description</b>			<b>ABN inv. poss.</b>	<b>Order key</b>	
	<b>Cable: length (2 m standard, WDG 58T: 1 m)</b>					
	radial, shield not connected (IP40)			•	K1	
	axial, shield connected to encoder housing			•	L2	
	radial, shield connected to encoder housing			•	L3	
	<b>Connector: (shield connected to encoder housing)</b>					
	sensor-connector, M12x1, 8-pin, axial			•	SB8	
	sensor-connector, M12x1, 8-pin, radial			•	SC8	
	sensor-connector, M12x1, 12-pin, axial			•	SB12	
sensor-connector, M12x1, 12-pin, radial			•	SC12		
	<b>Options</b>					
	<b>Description</b>			<b>Order key</b>		
	Without option			Empty		
	Cable length			XXX = Decimeter		

<b>Example Order No.=</b>	WDGN 36A	06	X	X	BAS	L2		WDGN 36A							<b>Your encoder</b>
---------------------------	----------	----	---	---	-----	----	--	----------	--	--	--	--	--	--	---------------------



For further information please contact our local distributor.  
Here you find a list of our distributors worldwide.  
<https://www.wachendorff-automation.com/>



Wachendorff Automation GmbH & Co. KG  
Industriestrasse 7 • 65366 Geisenheim  
Germany

Phone: +49 67 22 / 99 65 25  
Fax: +49 67 22 / 99 65 70  
E-Mail: [wdg@wachendorff.de](mailto:wdg@wachendorff.de)  
[www.wachendorff-automation.de](http://www.wachendorff-automation.de)

