

Ignition protection type Ex d

Temperature ranges					
Process temperature					
Cable version, reed ⁹⁾	-40 ... +150 °C				
Aluminium case AL, reed	-40 ... +150 °C				
Aluminium case AX, reed + AM microswitch	-40 ... +80 °C				
Ambient temperature	T1/T2	T3	T4	T5	T6
Gas	-40 ... +80 °C	-40 ... +80 °C	-40 ... +80 °C	-40 ... +80 °C	-40 ... +75 °C
Dust, zone 21					
Cable version, reed	-40 ... +80 °C				
Aluminium case AL, reed	-40 ... +80 °C				
Aluminium case AX, reed + AM microswitch	-40 ... +55 °C				
Max. operating temperature at the installation point (TB)					
Cable version, reed	+140 °C ³⁾	+140 °C ³⁾	+125 °C ³⁾	+90 °C ³⁾	+75 °C
Aluminium case AL, reed	+140 °C	+140 °C	+125 °C	+90 °C	+75 °C
Aluminium case AX, reed + AM microswitch	+80 °C	+80 °C	+80 °C	+80 °C	+75 °C
Max. surface temperature for dust protection, zone 21	TB + 5K				

1) Ex i (T5) with NAMUR or series resistor max. 65 °C

2) Ex i (T5) with NAMUR or series resistor max. 50 °C

3) Only for silicone cable, PVC and PUR cable limited to max. 80 °C

4) Up to 200 °C on request

5) Up to 195 °C on request

6) Ex i (T5) silicone cable with NAMUR or series resistor max. 100 °C

7) With NAMUR or series resistor max. 175 °C

8) With NAMUR or series resistor max. 100 °C

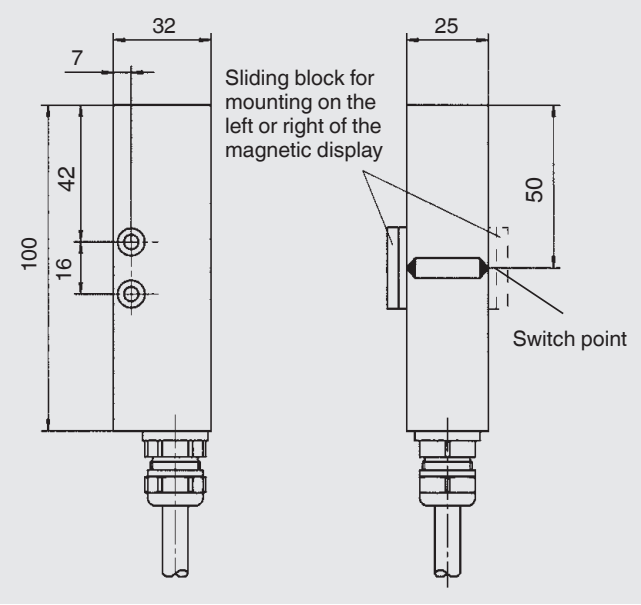
9) Depending on the cable selection; PVC cable = max. 100 °C; PUR cable = max. 80 °C; SIL cable max. 180 °C

Ingress protection

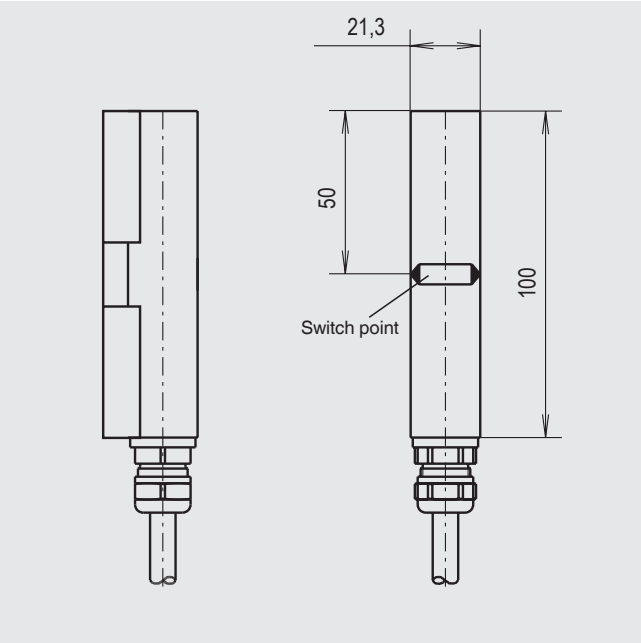
Ingress protection per IEC/EN 60529	Without approval	Ignition protection type Ex i	Ignition protection type Ex d
Cable version, reed	IP66	IP66	IP66/IP68
Aluminium case A101, reed	IP66/IP68	IP66/IP68	-
Stainless steel case, reed	IP66/IP68	IP66/IP68	-
Connector version, reed	IP67	IP67	-
Version with proximity switch (AIHI/AILI)	-	IP66/IP68	-
Aluminium case AL, reed	-	-	IP66/IP68
Aluminium case AX, reed + AM microswitch	-	-	IP65

Dimensions for basic model

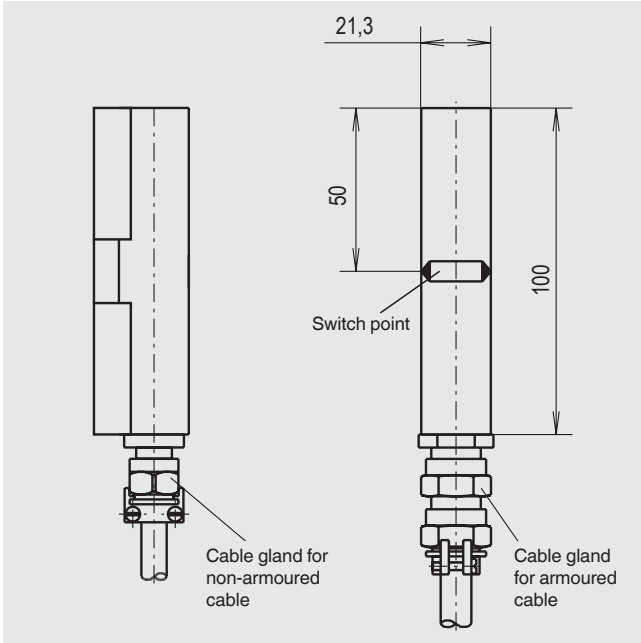
Model BGU-S



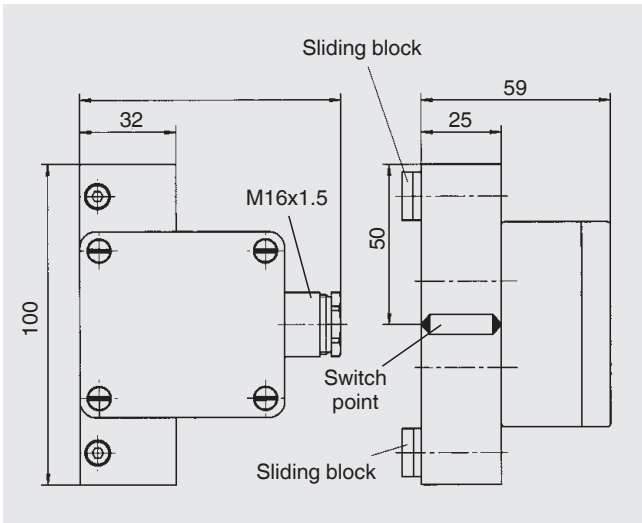
Model BGU-V



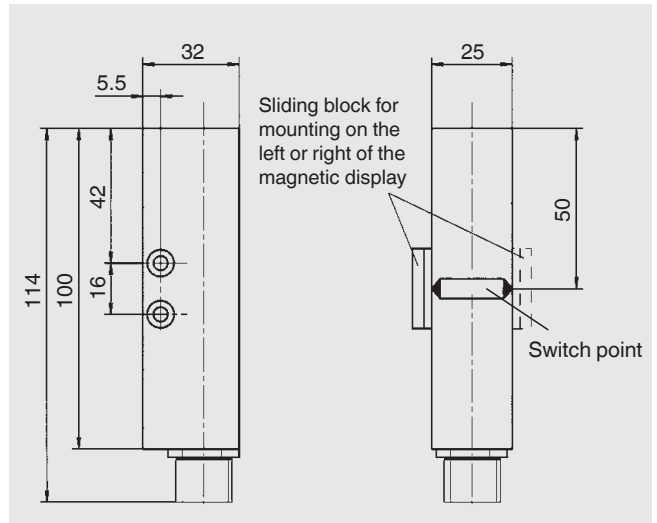
Model BGU-V, Ex d



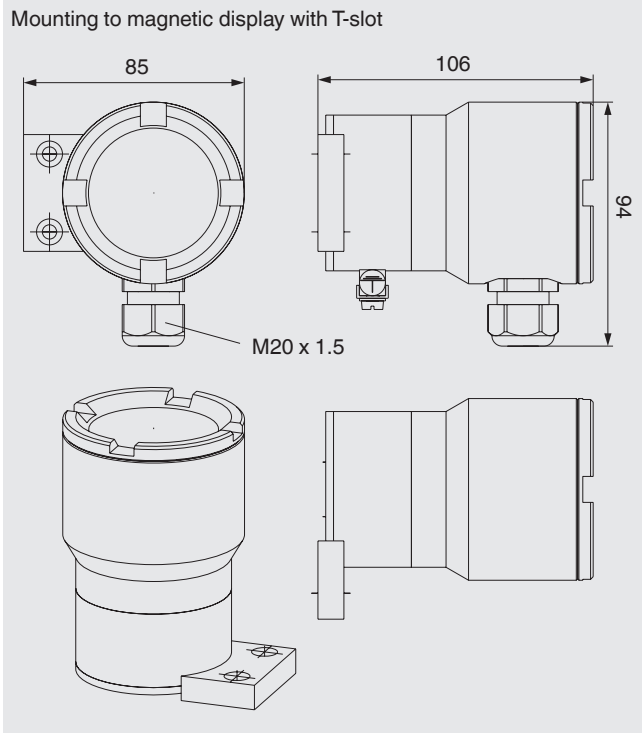
Model BGU-A



Model BGU-M12

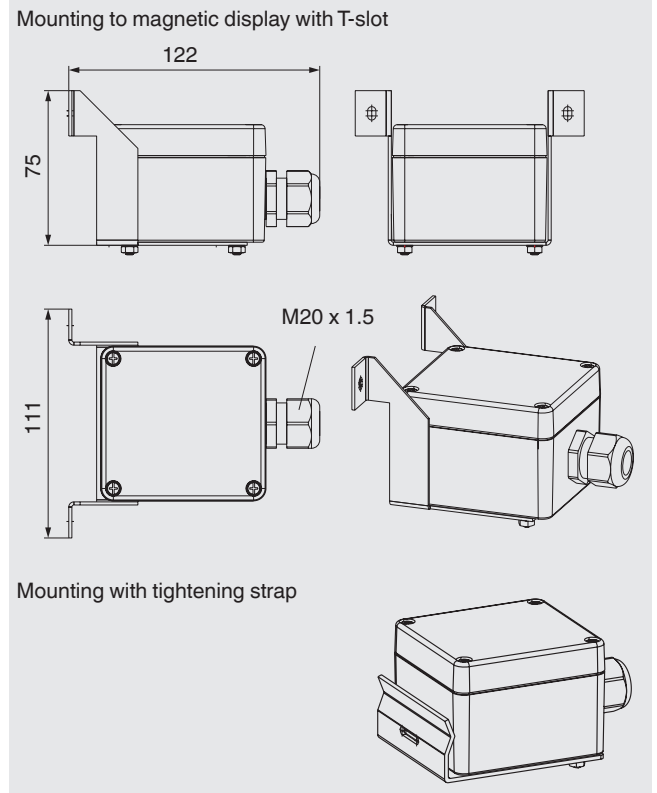


Model BGU-VHT

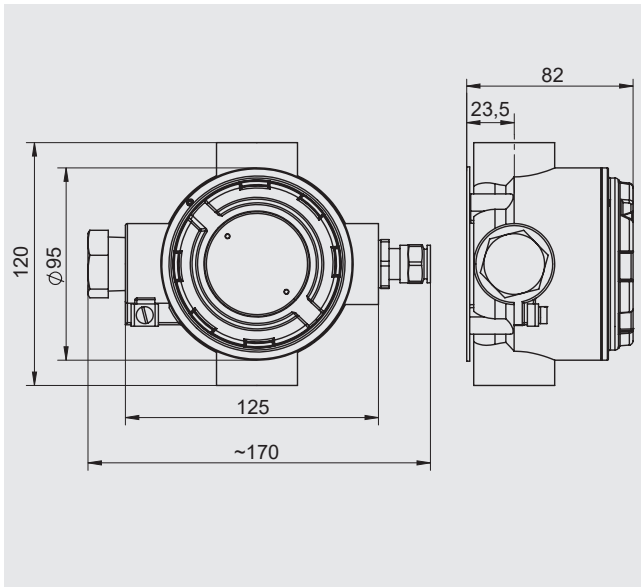


Attention: Mounting on the left must be specified if required

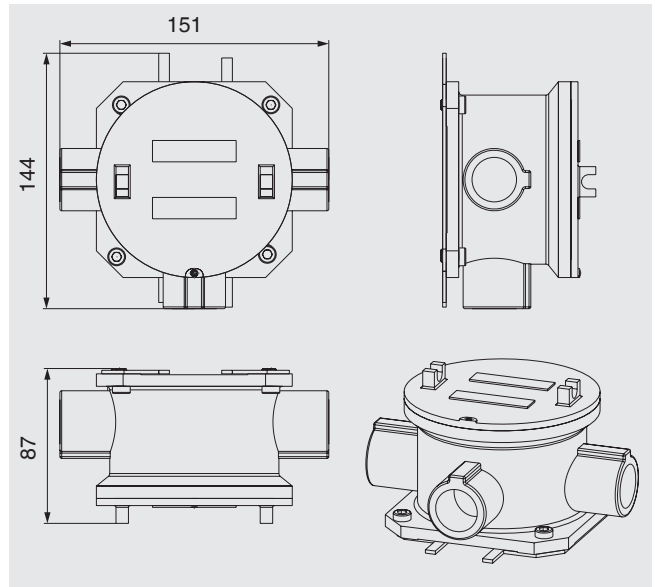
Model BGU-AIHI, AILI



Model BGU-ALD



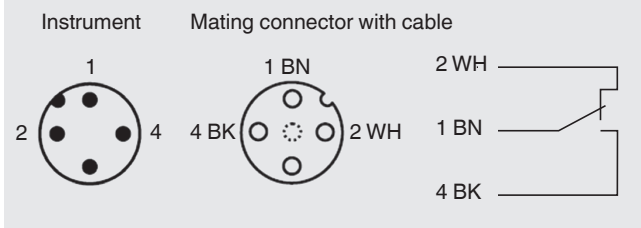
Model BGU-AMD, AXD



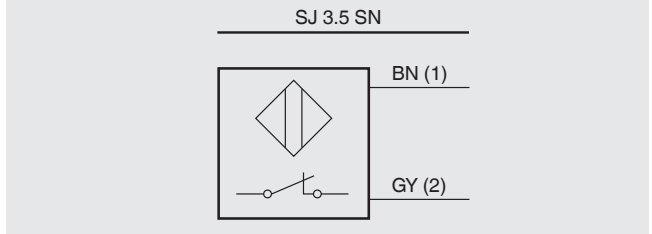
Electrical connections

<p>1 switch point</p>	<p>1 switch point Wiring for operation with a PLC</p>	<p>1 switch point NAMUR circuit per DIN EN 60947-5-6</p>
-----------------------	---	--

M12 connector, pin assignment (for model BGU-M12)



Proximity switch (for models BGU-AIH and BGU-AIL)



Contact protection measures

The reed contacts should be protected against any voltage or current spikes that might occur.

Depending on the different load types different protective circuits are used.



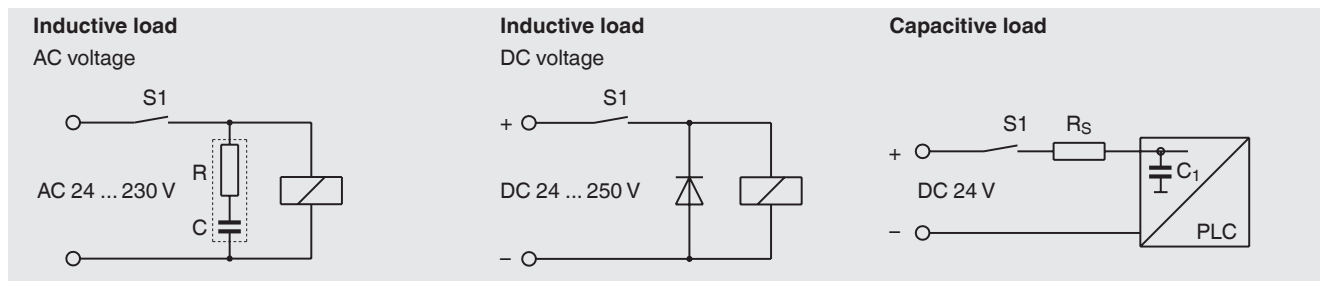
Model KFD2-ER-1.6



RC element

Contact protection relay	Contacts	Input	Supply voltage	Ex marking	Order no.
KFD2-ER-1.6	1 x change-over contact AC 250 V, 2 A	2 x contacts	DC 20 ... 30 V	-	123806
KFD2-SR2-Ex2.W	2 x change-over contact AC 253 V, 2 A	2 x contacts	DC 20 ... 30 V	II 1GD Ex ia IIC	124344
KFA6-ER-1.6	1 x change-over contact AC 250 V, 2 A	2 x contacts	AC 230 V	-	124341
KFA6-SR2-Ex2.W	2 x change-over contact AC 253 V, 2 A	2 x contacts	AC 230 V	II 1GD Ex ia IIC	123794

RC element	Capacitance	Resistance	Voltage	Order no.
B3/110	0.33 μ F	470 Ω	AC 110 V	126529
B3/230	0.33 μ F	820 Ω	AC 230 V	126530



Ordering information

To order the described product the order number (if available) is sufficient.

Alternatively:

Model / Approval / Switching option / Cable length / Cable material

© 03/2010 KSR KUEBLER Niveau-Messtechnik GmbH, all rights reserved.
The specifications given in this document represent the state of engineering at the time of publishing.
We reserve the right to make modifications to the specifications and materials.



D-Ex Instruments, s.r.o.
Optátova 708/37
637 00 Brno/Czech Republic
Mob. +420 775 757 225
Tel. +420 541 423 225
ksr@dex.cz
www.dex.cz/ksr



D-Ex Instruments, s.r.o.
Pražská 3222/1
811 04 Bratislava/Slovakia
Mob. +420 775 757 225
Tel. +421 2 5729 7421
info@dex.sk
www.dex.sk/ksr

