

WDGHI45  
Isolation sleeves for bore size  $\varnothing$  45 mm  
for thru-bore encoder WDG 100I

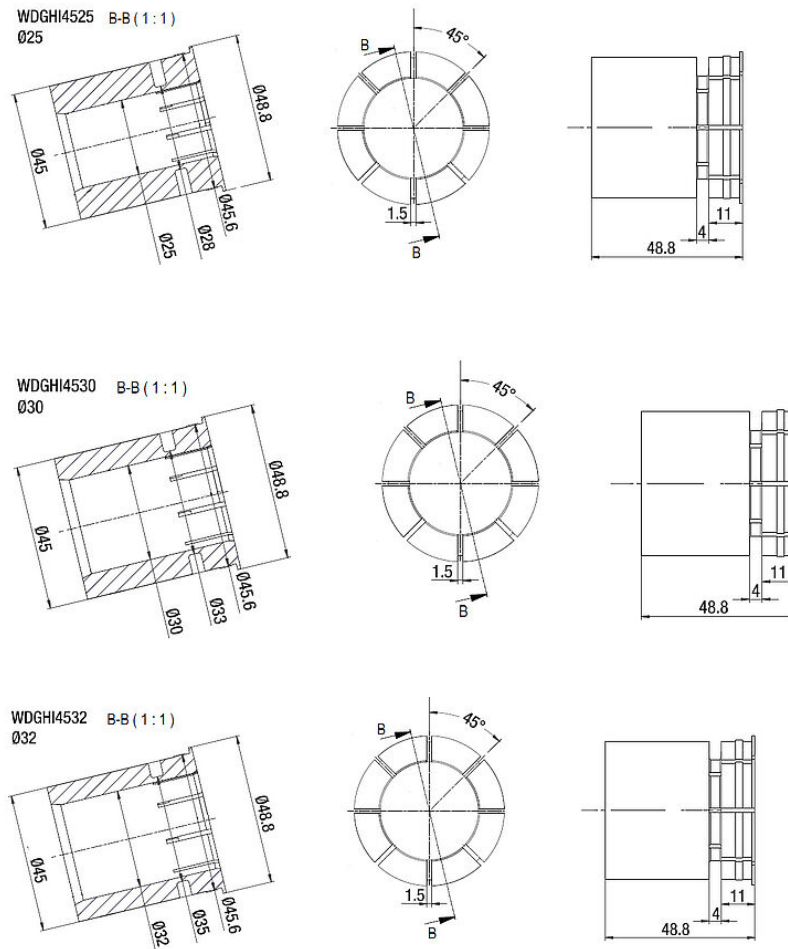


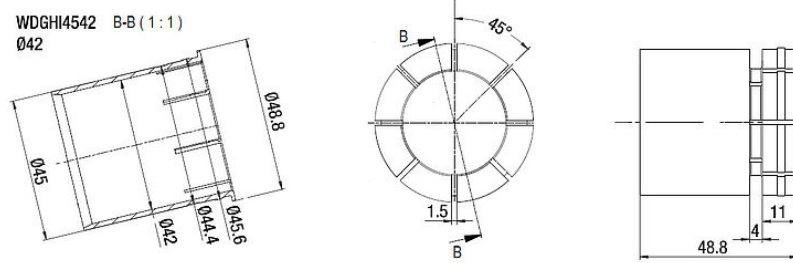
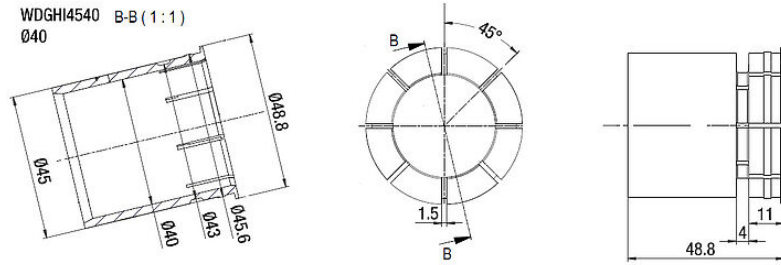
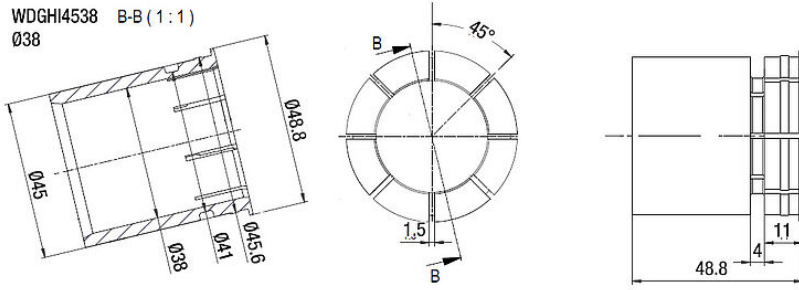
**Product data**

Order number(s)	
WDGHI4525	Isolation sleeve: $\varnothing$ d = 25 mm
WDGHI4532	Isolation sleeve: $\varnothing$ d = 32 mm
WDGHI4530	Isolation sleeve: $\varnothing$ d = 30 mm
WDGHI4538	Isolation sleeve: $\varnothing$ d = 38 mm
WDGHI4540	Isolation sleeve: $\varnothing$ d = 40 mm
WDGHI4542	Isolation sleeve: $\varnothing$ d = 42 mm

**Drawings and STEP-Data**

All dimensional specifications in mm





Wachendorff Automation GmbH & Co. KG - Industriestrasse 7 - D-65366 Geisenheim  
 wdg@wachendorff.de - Tel +49 6722 996525 - Fax +49 6722 996570