



Online Data Sheet

Encoder WDGP 58A

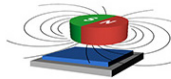
www.wachendorff-automation.com/wdgp58a

Wachendorff Automation

... systems and encoders

- Complete systems
- Industrial rugged encoders to suit your application
- Standard range and customer versions
- Maximum permissible loads
- 48-hour express production
- Made in Germany
- Worldwide distributor network

Encoder WDGP 58A (magnetic)



- Due to high quality electronics any number of pulses up to 16384
- Protection class IP67, at shaft input IP65
- High output frequency up to 1 MHz
- Reverse polarity protection and short-circuit protection at 4.75 VDC to 32 VDC

www.wachendorff-automation.com/wdgp58a

Resolution	
Pulses per revolution PPR	1 PPR up to 16384 PPR

Mechanical Data

Housing	
Flange	synchro flange
Flange material	aluminum
Housing cap	stainless steel
Housing	Ø 58 mm

Shaft(s)	
Shaft material	stainless steel
Starting torque	approx. 1 Ncm at ambient temperature

Shaft	Ø 6 mm
Shaft length	L: 12 mm
Max. Permissible shaft loading radial	125 N
Max. Permissible shaft loading axial	120 N

Shaft	Ø 10 mm
Shaft length	L: 20 mm
Max. Permissible shaft loading radial	220 N
Max. Permissible shaft loading axial	120 N

Bearings	
Bearings type	2 precision ball bearings
Nominal service life	1 x 10 ⁹ revs. at 100 % rated shaft load 1 x 10 ¹⁰ revs. at 40 % rated shaft load 1 x 10 ¹¹ revs. at 20 % rated shaft load
Max. operating speed	8000 rpm

Machinery Directive: basic data safety integrity level

MTTF _d	1200 a
Mission time (TM)	25 a
Nominal service life (L10h)	1 x 10 ¹¹ revs. at 20 % rated shaft load and 8000 rpm
Diagnostic coverage (DC)	0 %

Electrical Data

Power supply/Current consumption	4,75 VDC up to 32 VDC: typ. 80 mA
----------------------------------	-----------------------------------

Output circuit	HTL HTL set zero pulse HTL, inv. HTL, inv. set zero pulse TTL TTL set zero pulse TTL, RS422 compatible, inv. TTL, RS422 compatible, inv. set zero pulse
Pulse frequency	HTL up to 16384 ppr: max. 600 kHz TTL up to 16384 ppr: max. 1 MHz
Channels	ABN and inverted signals
Load	max. 40 mA / channel
Circuit protection	inverse-polarity and short-circuit protection

Set zero pulse:	Set: SET = +UB for 2 s Deactivate: SET = GND
-----------------	---

Accuracy	
Phase offset	90° ± max. 8.5 % of the period duration
pulse-/pause-ratio	50 % ± max. 7 %

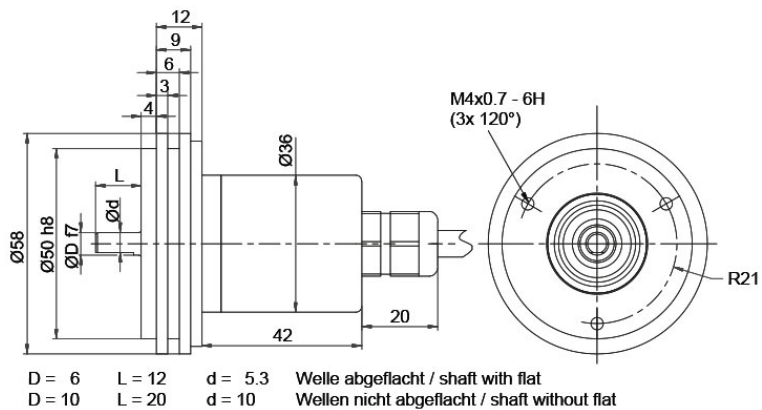
General Data

Weight	approx. 240 g
Connections	cable or connector outlet
Protection rating (EN 60529)	Housing: IP65, IP67; shaft sealed: IP65; (IP40 for K1)
Operating temperature	Connector: -40 °C up to +85 °C, cable: -20 °C up to +80 °C
Storage temperature	Connector: -40 °C up to +100 °C, cable: -30 °C up to +80 °C

More Information

General technical data and safety instructions
<http://www.wachendorff-automation.com/gtd>
 Options
<http://www.wachendorff-automation.com/acc>

Cable connection L2 axial with 2 m cable



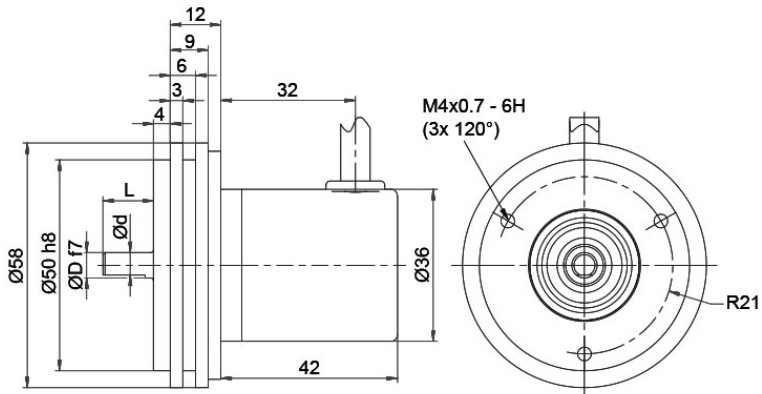
Description

ABN inv. poss.

L2 axial, shield connected to encoder housing

•

Assignments				
	L2	L2	L2	L2
Circuit	M11, M12	M13, M14	N11, N12	N13, N14
(+) Vcc	BN	BN	BN	BN
GND	WH	WH	WH	WH
A	GN	GN	GN	GN
B	YE	YE	YE	YE
N	GY	GY	GY	GY
SET	-	PK	-	PK
A inv.	RD	RD	-	-
B inv.	BK	BK	-	-
N inv.	VT	VT	-	-
Shield	flex	flex	flex	flex

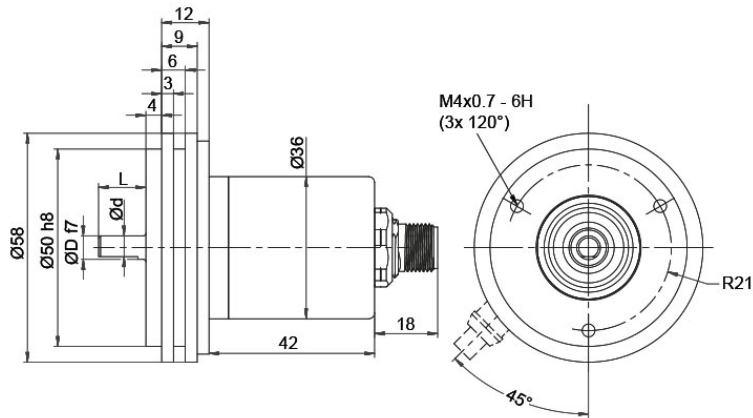
Cable K1 (IP40) radial with 2 m cable


D = 6 L = 12 d = 5.3 Welle abgeflacht / shaft with flat
 D = 10 L = 20 d = 10 Wellen nicht abgeflacht / shaft without flat

Description
ABN inv. poss.
K1 radial, shield not connected (IP40)

•

Assignments				
	K1	K1	K1	K1
Circuit	M11, M12	M13, M14	N11, N12	N13, N14
(+) Vcc	BN	BN	BN	BN
GND	WH	WH	WH	WH
A	GN	GN	GN	GN
B	YE	YE	YE	YE
N	GY	GY	GY	GY
SET	-	PK	-	PK
A inv.	RD	RD	-	-
B inv.	BK	BK	-	-
N inv.	VT	VT	-	-
Shield	flex	flex	flex	flex


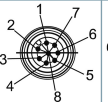
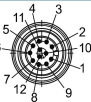
Sensor connector (M12x1) SB axial, 5-, 8-, 12-pin


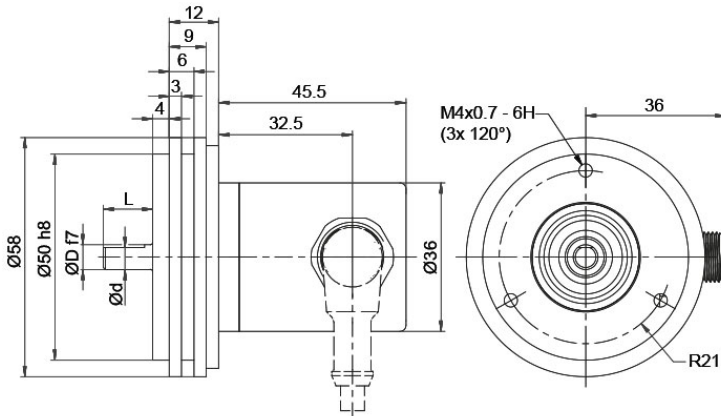
D = 6 L = 12 d = 5.3 Welle abgeflacht / shaft with flat
 D = 10 L = 20 d = 10 Wellen nicht abgeflacht / shaft without flat

Description
ABN inv. poss.

SB5	axial, 5-pin, Connector connected to encoder housing	-
SB8	axial, 8-pin, Connector connected to encoder housing	•
SB12	axial, 12-pin, Connector connected to encoder housing	•

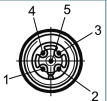

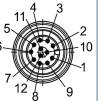
Assignments

	SB5	SB8	SB12
	5-pin	8-pin	12-pin
			
Circuit	N11, N12	M11, M12	M13, M14
GND	3	1	3
(+) Vcc	1	2	1
A	4	3	4
B	2	4	6
N	5	5	8
SET	-	-	5
A inv.	-	6	9
B inv.	-	7	7
N inv.	-	8	10
n. c.	-	-	2, 11, 12
Shield	-	-	-

Sensor-connector (M12x1) SC radial, 5-, 8-, 12-pin


D = 6 L = 12 d = 5.3 Welle abgeflacht / shaft with flat
 D = 10 L = 20 d = 10 Wellen nicht abgeflacht / shaft without flat

Description	ABN inv. poss.
SC5 radial, 5-pin, Connector connected to encoder housing	-
SC8 radial, 8-pin, Connector connected to encoder housing	•
SC12 radial, 12-pin, Connector connected to encoder housing	•

Assignments			
	SC5	SC8	SC12
	5-pin	8-pin	12-pin
			
Circuit	N11, N12	M11, M12	M13, M14
GND	3	1	3
(+) Vcc	1	2	1
A	4	3	4
B	2	4	6
N	5	5	8
SET	-	-	5
A inv.	-	6	9
B inv.	-	7	7
N inv.	-	8	10
n. c.	-	-	2, 11, 12
Shield	-	-	-

Options

Cable length

Order key

The encoder WDGP 58A can be supplied with more than 2 m cable. The maximum cable length depends on the supply voltage and the frequency; see www.wachendorff-automation.com/atd

XXX = Decimeter

Please extend the standard order code with a three figure number, specifying the cable length in decimetres.

Example: 5 m cable = 050

Example Order No.	Type					Your encoder
WDGP 58A	WDGP 58A					WDGP 58A
Shaft						
06	06; 10					
Pulses per revolution PPR:						
16384	1-16384 Other PPRs on request					
Channels:						
ABN	ABN					
Output circuit						
M13	Resolution PPR 1-16384	Power supply VDC	Output circuit	Light reserve warning	Order key	
		4.75 - 32	HTL inverted	-	M11	
		4.75 - 32	TTL, RS422 comp., inverted	-	M12	
		4.75 - 32	HTL, inv. set zero pulse	-	M13	
		4.75 - 32	TTL, RS422 compatible, inv. set zero pulse	-	M14	
		4.75 - 32	HTL	-	N11	
		4.75 - 32	TTL	-	N12	
		4.75 - 32	HTL set zero pulse	-	N13	
4.75 - 32	TTL set zero pulse	-	N14			
Electrical connections						
L2	Description			ABN inv. poss.	Order key	
	Cable: length (2 m standard, WDG 58T: 1 m)					
	radial, shield not connected (IP40)			•	K1	
	axial, shield connected to encoder housing			•	L2	
	radial, shield connected to encoder housing			•	L3	
	Connector: (shield connected to encoder housing)					
	sensor-connector, M12x1, 5-pin, axial			-	SB5	
	sensor-connector, M12x1, 5-pin, radial			-	SC5	
	sensor-connector, M12x1, 8-pin, axial			•	SB8	
	sensor-connector, M12x1, 8-pin, radial			•	SC8	
	sensor-connector, M12x1, 12-pin, axial			•	SB12	
sensor-connector, M12x1, 12-pin, radial			•	SC12		
Options						
Description			Order key			
Without option			Empty			
Cable length			XXX = Decimeter			

Example Order No.=	WDGP 58A	06	16384	ABN	M13	L2			WDGP 58A							Your encoder
---------------------------	----------	----	-------	-----	-----	----	--	--	----------	--	--	--	--	--	--	---------------------



For further information please contact our local distributor.
Here you find a list of our distributors worldwide.
<https://www.wachendorff-automation.com/>



Wachendorff Automation GmbH & Co. KG
Industriestrasse 7 • 65366 Geisenheim
Germany

Phone: +49 67 22 / 99 65 25
Fax: +49 67 22 / 99 65 70
E-Mail: wdg@wachendorff.de
www.wachendorff-automation.de

