

# Float switch

## For horizontal installation, miniature design

### Model HLS-M

WIKA data sheet LM 30.06

#### Applications

- Level monitoring and level indication of liquids
- Level detection for almost all liquid media
- Pump and level control
- Alarm signals
- Dry-run and overflow protection

#### Special features

- Lateral installation in the tank
- Operating limits:
  - Operating temperature:  $T = -40 \dots +120 \text{ }^\circ\text{C}$
  - Operating pressure:  $P = 5 \text{ bar}$
  - Limit density:  $\rho \geq 800 \text{ kg/m}^3$
- Plastic and stainless steel versions
- Space-saving installation
- Switch consists of only one component



Fig. top: Plastic version, model HLS-M11

Fig. bottom: Stainless steel version, model HLS-M22

#### Description

With its compact design, the model HLS-M float switch for horizontal installation in miniature design is ideally suited for use in small tanks, for indicating minimum/maximum levels.

The float is attached to a supported, swivelling lever and moves with the level of the medium being measured. By means of a permanent magnet, when a preset switch point is reached, a reed contact (inert gas contact) is actuated.

By using a magnet and reed contact the switching operation is non-contact, free from wear and needs no power supply. The contacts are potential-free.

The switching function refers to a rising liquid level: Standard use as normally open contact (can be used as normally closed contact by a 180° rotation).

The float switch is simple to mount and maintenance-free, so the costs of mounting, commissioning and operation are low.

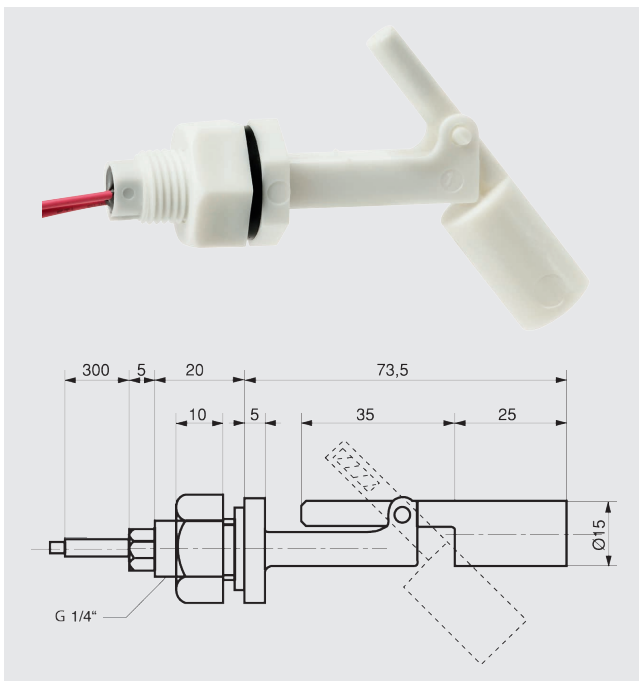
## Model overview

Float switch model	Description	Installation	Electrical connection
HLS-M11	Plastic version	From inside	Cable
HLS-M12	Plastic version	From outside	Cable
HLS-M21	Stainless steel version	From inside	Cable
HLS-M22	Stainless steel version	From outside	Cable
HSL-M23	Stainless steel version	From outside	Connector

## Approvals

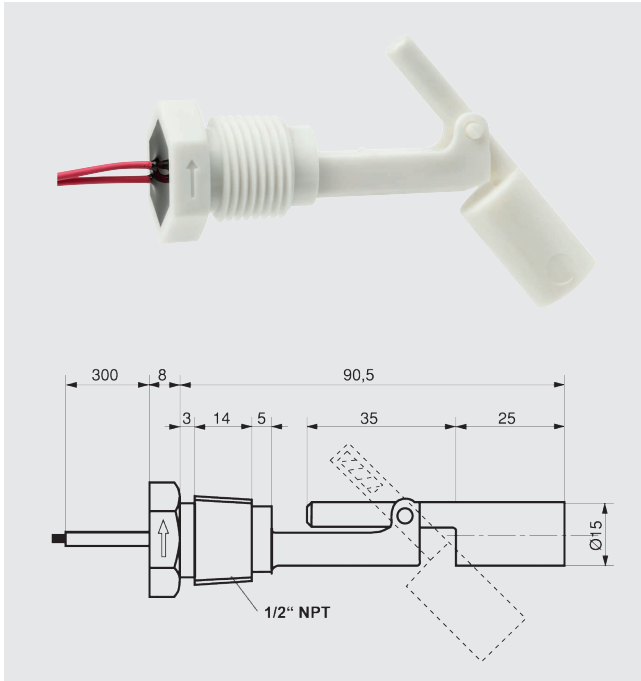
Logo	Description	Country
CE	EU declaration of conformity RoHS directive	European Union

## Plastic version, for installation from inside, cable outlet Model HLS-M11



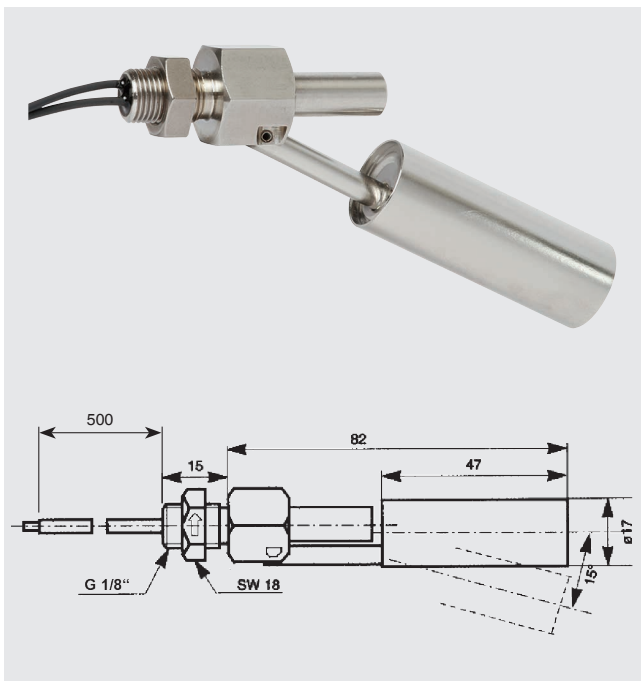
Specifications	
<b>Switching power</b>	< AC 25 V; 25 VA; 0.5 A < DC 60 V; 25 W; 0.5 A
Normally open contact (can be used as normally closed contact by a 180° rotation)	<b>Attention:</b> Operation only at safety extra-low voltage, e.g. with contact protection relay
<b>Mounting position</b>	Horizontal
<b>Limit density</b>	≥ 800 kg/m <sup>3</sup>
<b>Medium temperature</b>	-10 ... +80 °C
<b>Ingress protection</b>	IP65
<b>Max. operating pressure</b>	1 bar
<b>Material</b>	Polypropylene
<b>Process connection</b>	Male thread G 1/4"
<b>Mounting</b>	For installation in the tank from inside
<b>Float</b>	Outer diameter 15 mm Length 25 mm
<b>Electrical connection</b>	Cable connection PVC stranded wires, 2 x 0.5 mm <sup>2</sup> Cable length 0.3 m
<b>Order number</b>	117612

**Plastic version, for installation from outside, cable outlet  
Model HLS-M12**



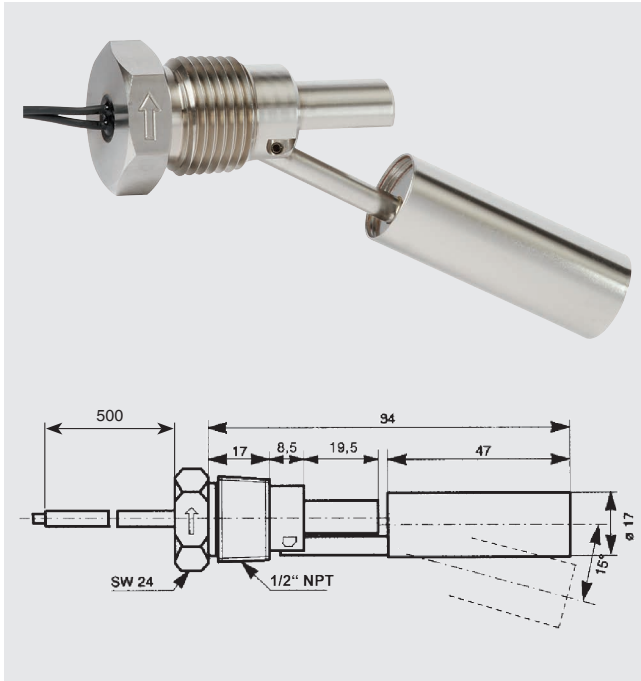
Specifications	
<b>Switching power</b> Normally open contact (can be used as normally closed contact by a 180° rotation)	< AC 25 V; 25 VA; 0.5 A < DC 60 V; 25 W; 0.5 A <b>Attention:</b> Operation only at safety extra-low voltage, e.g. with contact protection relay
<b>Mounting position</b>	Horizontal
<b>Limit density</b>	≥ 800 kg/m <sup>3</sup>
<b>Medium temperature</b>	-10 ... +80 °C
<b>Ingress protection</b>	IP65
<b>Max. operating pressure</b>	1 bar
<b>Material</b>	Polypropylene
<b>Process connection</b>	Male thread 1/2" NPT
<b>Mounting</b>	For installation in the tank from outside
<b>Float</b>	Outer diameter 15 mm Length 25 mm
<b>Electrical connection</b>	Cable connection PVC stranded wires, 2 x 0.5 mm <sup>2</sup> Cable length 0.3 m
<b>Order number</b>	118329

**Stainless steel version, for installation from inside, cable outlet  
Model HLS-M21**



Specifications	
<b>Switching power</b> Normally open contact (can be used as normally closed contact by a 180° rotation)	< AC 50 V; 25 VA; 0.5 A < DC 75 V; 25 W; 0.5 A <b>Attention:</b> Operation only at safety extra-low voltage, e.g. with contact protection relay
<b>Mounting position</b>	Horizontal
<b>Limit density</b>	≥ 800 kg/m <sup>3</sup>
<b>Medium temperature</b>	-40 ... +120 °C
<b>Ingress protection</b>	IP65
<b>Max. operating pressure</b>	5 bar
<b>Material</b>	Stainless steel 1.4301
<b>Process connection</b>	Male thread G 1/8"
<b>Mounting</b>	For installation in the tank from inside
<b>Float</b>	Outer diameter 17 mm Length 47 mm
<b>Electrical connection</b>	Cable connection PVC stranded wires, 2 x 0.5 mm <sup>2</sup> Cable length 0.5 m
<b>Order number</b>	118330

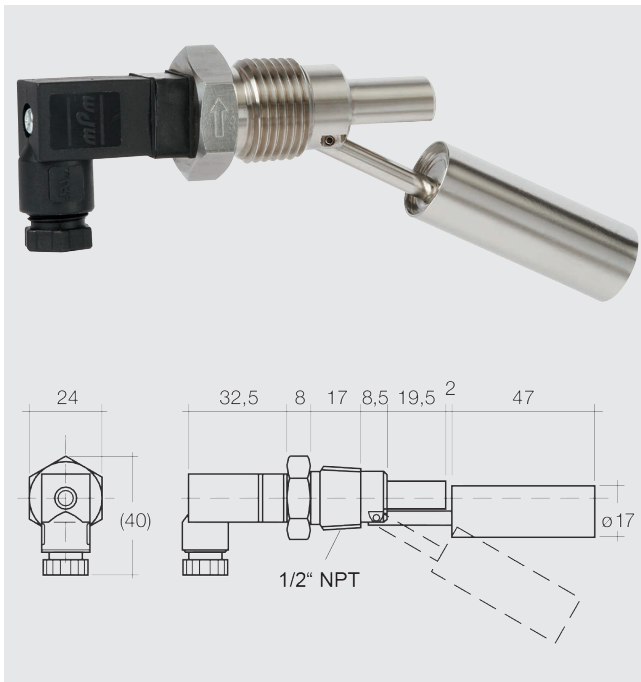
**Stainless steel version, for installation from outside, cable outlet**  
**Model HLS-M22**



Specifications	
<b>Switching power</b> Normally open contact (can be used as normally closed contact by a 180° rotation)	< AC 50 V; 25 VA; 0.5 A < DC 75 V; 25 W; 0.5 A <b>Attention:</b> Operation only at safety extra-low voltage, e.g. with contact protection relay
<b>Mounting position</b>	Horizontal
<b>Limit density</b>	≥ 800 kg/m <sup>3</sup>
<b>Medium temperature</b>	-40 ... +120 °C
<b>Ingress protection</b>	IP65
<b>Max. operating pressure</b>	5 bar
<b>Material</b>	Stainless steel 1.4301
<b>Process connection</b>	Male thread 1/2" NPT
<b>Mounting</b>	For installation in the tank from outside
<b>Float</b>	Outer diameter 17 mm Length 47 mm
<b>Electrical connection</b>	Cable connection PVC stranded wires, 2 x 0.5 mm <sup>2</sup> Cable length 0.5 m
<b>Order number</b>	013955

Special version HLS-M22H for temperature range -40 ... +180 °C on request

**Stainless steel version, for installation from outside, plug connection**  
**Model HLS-M23**



Specifications	
<b>Switching power</b> Normally open contact (can be used as normally closed contact by a 180° rotation)	< AC 50 V; 25 VA; 0.5 A < DC 75 V; 25 W; 0.5 A <b>Attention:</b> Operation only at safety extra-low voltage, e.g. with contact protection relay
<b>Mounting position</b>	Horizontal
<b>Limit density</b>	≥ 800 kg/m <sup>3</sup>
<b>Medium temperature</b>	-40 ... +120 °C
<b>Ingress protection</b>	IP65
<b>Max. operating pressure</b>	5 bar
<b>Material</b>	Stainless steel 1.4301
<b>Process connection</b>	Male thread 1/2" NPT
<b>Mounting</b>	For installation in the tank from outside
<b>Float</b>	Outer diameter 17 mm Length 47 mm
<b>Electrical connection</b>	Plug connection Rectangular connector per EN 175301-803, 2-pin
<b>Order number</b>	118332

## Ordering information

To order the described product the order number is sufficient.

Alternatively:

Model / Material / Process connection / Electrical connection / Cable length / Mounting / Pressure, temperature, density / Options

© 08/2014 WIKA Alexander Wiegand SE & Co. KG, all rights reserved.  
The specifications given in this document represent the state of engineering at the time of publishing.  
We reserve the right to make modifications to the specifications and materials.



**D-Ex Instruments, s.r.o.**  
Optátova 708/37  
637 00 Brno/Czech Republic  
Mob. +420 775 757 225  
Tel. +420 541 423 225  
ksr@dex.cz  
www.dex.cz/ksr



**D-Ex Instruments, s.r.o.**  
Pražská 3222/1  
811 04 Bratislava/Slovakia  
Mob. +420 775 757 225  
Tel. +421 2 5729 7421  
info@dex.sk  
www.dex.sk/ksr



**WIKA Alexander Wiegand SE & Co. KG**  
Alexander-Wiegand-Straße 30  
63911 Klingenberg/Germany  
Tel. +49 9372 132-0  
Fax +49 9372 132-406  
info@wika.de  
www.wika.com