

Datasheet

Length measurement system LMSLA12

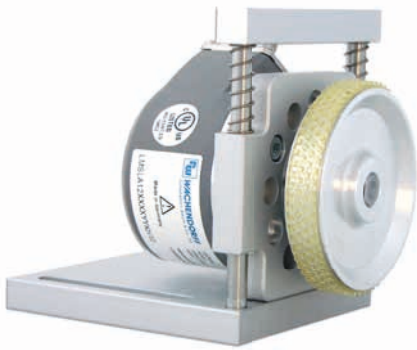
www.wachendorff-automation.com/lmsla12

Wachendorff Automation

... systems and encoders

- Complete systems
- Industrial rugged encoders to suit your application
- Standard range and customer versions
- Maximum permissible loads
- 48-hour express production
- Made in Germany
- Worldwide distributor network

Robust length measurement system LMSLA12



- Complete system, consisting of incremental encoder, linear equalization shaft encoder holder and measuring wheel
- Excellent print layout, thanks to a resolution of 0.008 mm/pulse
- Various measuring wheels for different surfaces available
- High service life, thanks to highest bearing loads and parallel guided free from backlash

www.wachendorff-automation.com/lmsla12

Resolution WDGI 58B10 with

200 ppr:	1 pulse/mm = 1.0 mm/pulse
2000 ppr:	10 pulses/mm = 0.1 mm/pulse
5000 ppr:	25 pulses/mm = 0.04 mm/pulse
25000 ppr:	125 pulses/mm = 0.008 mm/pulse

Mechanical Data of the system modules

Housing encoder

Flange	clamping flange
Flange material	aluminium
Housing cap	die cast aluminum, powder coated

Shaft(s)

Shaft material	stainless steel
Starting torque	approx. 1 Ncm at ambient temperature

Shaft	Ø 10 mm shaft with flat
Shaft length	L: 20 mm
Max. permissible shaft loading radial	220 N
Max. permissible shaft loading axial	120 N

Bearings

Max. operating speed	8000 rpm
----------------------	----------

Encoder holder

Adjustable prestressing force	25 N
Spring travel	8.5 mm
Material	Aluminum

Machinery Directive: basic data safety integrity level

MTTF _a	200 a
Mission time (T _m)	25 a
Nominal service life (L _{10h})	1 x 10 ¹¹ revs. at 20 % rated shaft load and 8000 rpm
Diagnostic coverage (DC)	0 %

Electrical Data

Power supply/	4,75 VDC up to 5,5 VDC: max. 100 mA
Current consumption	10 VDC up to 30 VDC: max. 100 mA
Output circuit	TTL, HTL
Channels	ABN and inverted signals
Load	max. 40 mA / channel
Circuit protection	10 VDC up to 30 VDC, HTL only

Accuracy

Phase offset	90° ± max. 7,5 % of the pulse length
pulse-/pause-ratio	50 % ± max. 7 %


General Data


Weight	approx. 570 g
Connection	Connector radial
Protection rating (EN 60529)	IP67, shaft sealed to IP65


Operating temperature

LMSxxxKH:	-10 °C up to +70 °C
LMSxxxKG:	-10 °C up to +70 °C
LMSxxxNG:	-10 °C up to +50 °C

Range of application measuring wheel U = 200 mm

 LMSxxxKH: (even)	Plastic, painted surfaces, paper, paste-board, wood, metal, textiles.
--	---

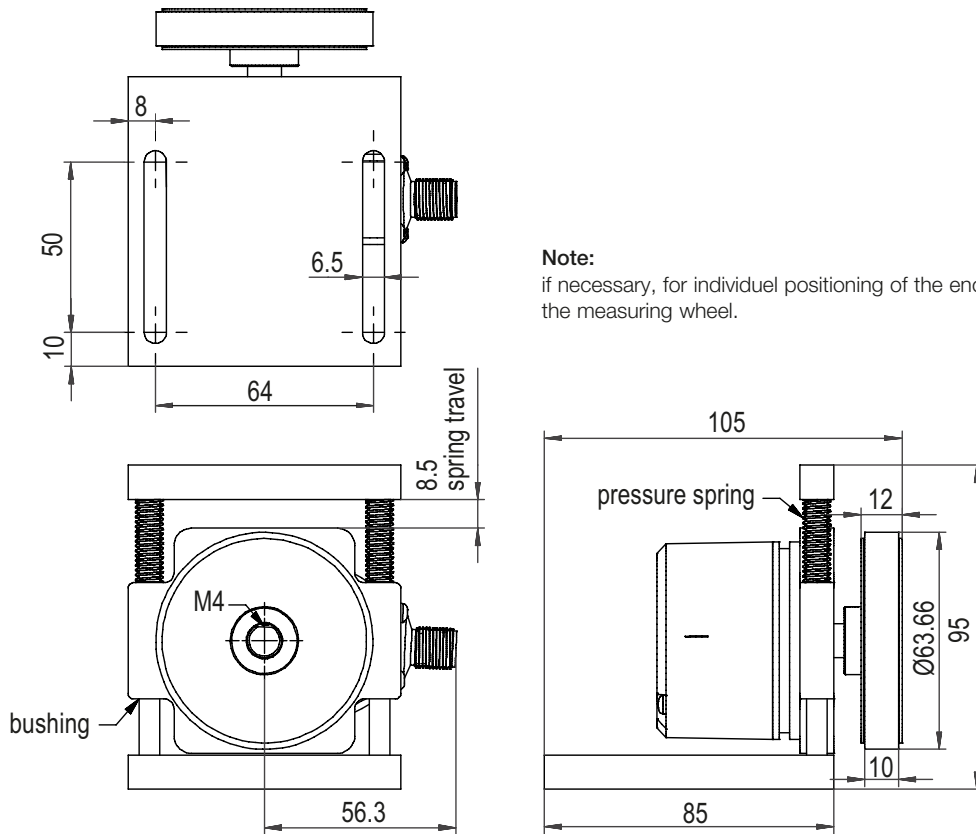
 LMSxxxKG: (fluted)	Plastic, painted surfaces, paper, paste-board, wood, metal, textiles.
--	---

 LMSxxxNG: (pimpled)	Textiles.
---	-----------

More information

General technical data
www.wachendorff-automation.com/gtd
 Options
www.wachendorff-automation.com/acc

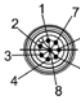
Sensor-connector (M12x1) SC, 8-pin



Note:
if necessary, for individual positioning of the encoder, please remove the measuring wheel.

Description

SC8 radial, 8-pin, connector connected to encoder housing

Assignment	
	SC8
	8-pin
	
Circuit	P05, R05, P24, R24
GND	1
+UB	2
A	3
B	4
N	5
Light reserve warning	-
A inv.	6
B inv.	7
N inv.	8
n. c.	-
Shield	-

Order No.:

mm/pulses	Pulses	LMSLA12100024KH10	LMSLA12100005KH10	LMSLA12100024KG10	LMSLA12100005KG10	LMSLA12100024NG10	LMSLA12100005NG10	LMSLA12010024KH10	LMSLA12010005KH10	LMSLA12010024KG10	LMSLA12010005KG10	LMSLA12010024NG10	LMSLA12010005NG10	LMSLA12004024KH10	LMSLA12004005KH10	LMSLA12004024KG10	LMSLA12004005KG10	LMSLA12004024NG10	LMSLA12004005NG10	LMSLA12000824KH10	LMSLA12000805KH10	LMSLA12000824KG10	LMSLA12000805KG10	LMSLA12000824NG10	LMSLA12000805NG10	
1,0	200	•	•	•	•	•	•																			
0,1	2000					•	•	•	•	•	•															
0,04	5000											•	•	•	•	•	•									
0,008	25000																	•	•	•	•	•	•			
VDC																										
10 up to 30 HTL		•		•		•		•		•		•		•		•		•		•		•		•		•
4,75 up to 5,5 TTL			•		•		•		•		•		•		•		•		•		•		•		•	
Range of appl.*		1	1	2	2	3	3	1	1	2	2	3	3	1	1	2	2	3	3	1	1	2	2	3	3	

- * Range of application measuring wheel U = 200 mm
- 1 LMSxxxKH Plastic, painted surfaces, paper, pasteboard, wood, metal, textiles.
- 2 LMSxxxKG Plastic, painted surfaces, paper, pasteboard, wood, metal, textiles.
- 3 LMSxxxNG Textiles.

For further assistance please feel free to contact us.
 We would be happy to help you to find the suitable resolution, measurement wheel, cable length or other accessory to optimize your application.



For further information please contact our local distributor.
Here you find a list of our distributors worldwide.
http://www.wachendorff-automation.com/distributors_worldwide.html



Wachendorff Automation GmbH & Co. KG
Industriestrasse 7 • D-65366 Geisenheim

Tel.: +49 (0) 67 22 / 99 65 - 25
Fax: +49 (0) 67 22 / 99 65 - 70
E-Mail: wdg@wachendorff.de
www.wachendorff-automation.com

