



Online Data Sheet

Encoder WDGI 58H

www.wachendorff-automation.com/wdgi58h

Wachendorff Automation

... systems and encoders

- Complete systems
- Industrial rugged encoders to suit your application
- Standard range and customer versions
- Maximum permissible loads
- 48-hour express production
- Made in Germany
- Worldwide distributor network

Encoder WDGI 58H



- Rugged industrial standard encoder
- Housing cap die cast aluminum, with particularly eco-friendly powder coating
- Up to 25000 PPR by use of high grad electronics
- Thru-Bore
- High protection class IP65, with oil seal
- Maximum mechanical and electrical safety
- High noise immunity
- Full connection protection with 10 VDC up to 30 VDC
- High output frequency 600 kHz/2 MHz
- Optional: -40 °C up to +85 °C, Pressure equalising membrane

www.wachendorff-automation.com/wdgi58h

Resolution

Max. pulses per revolution PPR up to 25000 PPR

Mechanical Data

Housing

Flange	hollow shaft (through-bored)
Flange material	aluminum
Housing cap	die cast aluminum, powder coated
Torque supports	incl. 1 torque support WDGDS10001
- 1. Spring plate compensation	axial: ±0.8 mm, radial: ±0.2 mm
- Max. operating speed	6000 rpm up to max. protection rating +60 °C
- 2. Cylinder pin 4 mm	needs accessories WDGDS10005
- Compensation	axial: ±0.5 mm, radial: ±1.5 mm, Max. operating speed: 3000 rpm
Housing	Ø 58 mm

Shaft(s)

Shaft material	stainless steel
Starting torque	approx. 2.2 Ncm at ambient temperature
Fixing	permanently attached clamping ring
Shaft	Ø 8 mm
Shaft length	L: 44.5 mm
Max. Permissible shaft loading radial	80 N
Max. Permissible shaft loading axial	60 N
Shaft	Ø 10 mm
Shaft length	L: 44.5 mm
Max. Permissible shaft loading radial	80 N
Max. Permissible shaft loading axial	60 N
Shaft	Ø 12 mm
Shaft length	L: 44.5 mm
Max. Permissible shaft loading radial	80 N
Max. Permissible shaft loading axial	60 N
Shaft	Ø 12.7 mm, Ø 1/2"
Shaft length	L: 44.5 mm, L: 1.75 in

Max. Permissible shaft loading radial	80 N, 8.15 kp
Max. Permissible shaft loading axial	60 N, 6.12 kp

Shaft	Ø 14 mm
Shaft length	L: 44.5 mm
Max. Permissible shaft loading radial	80 N
Max. Permissible shaft loading axial	60 N
Shaft	Ø 15 mm
Shaft length	L: 44.5 mm
Max. Permissible shaft loading radial	80 N
Max. Permissible shaft loading axial	60 N

Bearings

Bearings type	2 precision ball bearings
Nominale service life	1 x 10 ⁹ revs. at 100 % rated shaft load 1 x 10 ¹⁰ revs. at 40 % rated shaft load 1 x 10 ¹¹ revs. at 20 % rated shaft load
Max. operating speed	6000 rpm

Machinery Directive: basic data safety integrity level

MTTF _d	200 a
Mission time (TM)	25 a
Nominale service life (L10h)	1 x 10 ¹¹ revs. at 20 % rated shaft load and 6000 rpm
Diagnostic coverage (DC)	0 %

Electrical Data

Power supply/Current consumption	4,75 VDC up to 5,5 VDC: typ. 100 mA
Power supply/Current consumption	5 VDC up to 30 VDC: typ. 70 mA
Power supply/Current consumption	10 VDC up to 30 VDC: typ. 100 mA
Output circuit	TTL TTL, RS422 compatible, inv. HTL HTL, inv. 1 Vpp sin/cos
Pulse frequency	TTL 5000 ppr: max. 200 kHz HTL 5000 ppr: max. 200 kHz TTL more than 1200 ppr: max. 2 MHz HTL more than 1200 ppr: max. 600 kHz 1 Vpp sin/cos: max. 100 kHz

Channels	AB ABN and inverted signals
Load	max. 40 mA / channel @ 1 Vpp sin/cos: min. 120 Ohm
Circuit protection	circuit type F24, G24, H24, I24, P24, R24 only

Accuracy

Phase offset	90° ± max. 7.5 % of the period duration
pulse-/pause-ratio	5000 ppr: 50 % ± max. 7 % Output circuits F24, P24, F05, P05, 645: 50 % ± max. 10 %

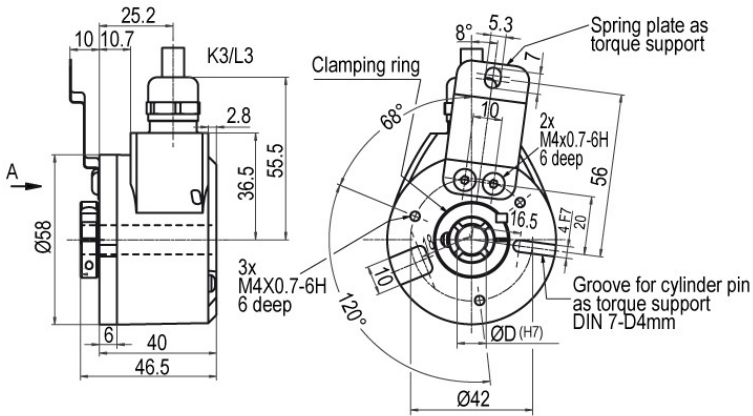
General Data

Weight	approx. 220 g
Connections	cable or connector, radial
Protection rating (EN 60529)	IP65 all around
Operating temperature	Connector: -40 °C up to +85 °C, cable: -20 °C up to +80 °C, (Option ACA: -40 °C up to +85 °C) 1 Vpp: -10 °C up to +70 °C
Storage temperature	Connector: -30 °C up to +85 °C, cable: -30 °C up to +80 °C, option ACA: -40 °C up to +85 °C

More Information

General technical data and safety instructions
<http://www.wachendorff-automation.com/gtd>

Options
<http://www.wachendorff-automation.com/acc>

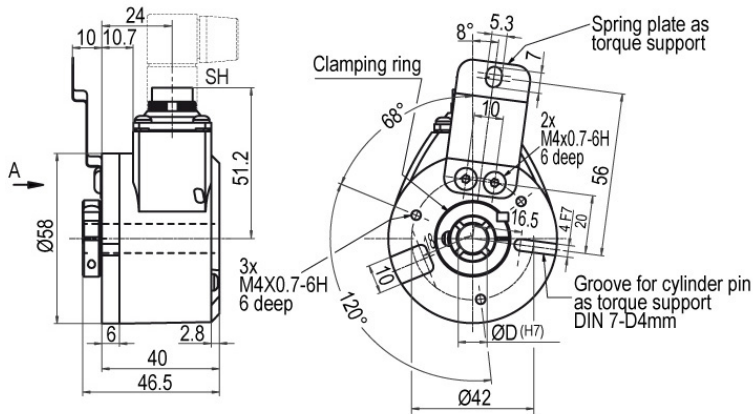
WDGI 58H: Cable connection K3, L3, radial, with 2 m cable

Description

K3	radial, shield not connected
L3	radial, shield connected to encoder housing

ABN inv. poss.

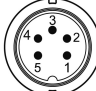


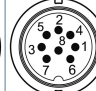
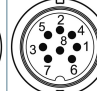
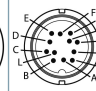
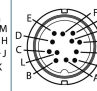
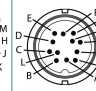
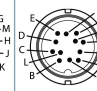
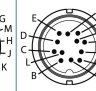
-
-

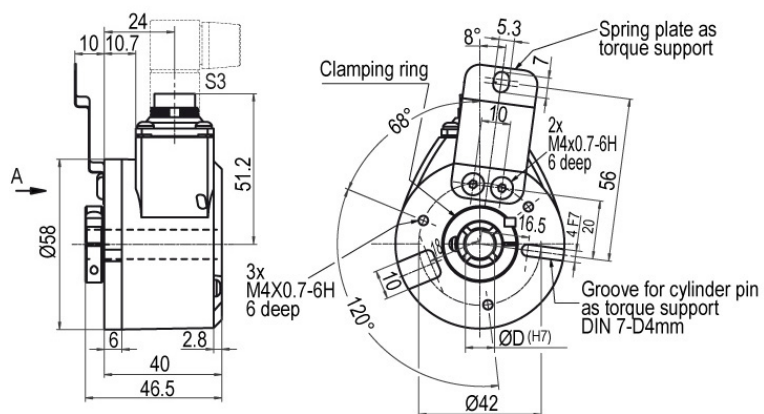
Assignments					
	K3, L3	K3, L3	K3, L3	K3, L3	L3
Circuit	G05, G24	F05, H05, F24, H24, H30	I05, I24, 524	P05, R05, P24, R24, 245, 645, R30	SIN
GND	WH	WH	WH	WH	WH
(+) Vcc	BN	BN	BN	BN	BN
A	GN	GN	GN	GN	GN
B	YE	YE	YE	YE	GY
N	GY	GY	GY	GY	-
Light reserve warning	PK	-	PK	-	-
A inv.	-	-	RD	RD	YE
B inv.	-	-	BK, (BU at ACA)	BK, (BU at ACA)	PK
N inv.	-	-	VT	VT	-
Shield	flex	flex	flex	flex	flex

WDGI 58H: Connector (M16x0.75) SH, radial, 5-, 6-, 8-, 12-pin

Description
ABN inv. poss.

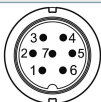
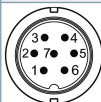
SH5	radial, 5-pin, Connector connected to encoder housing	-
SH6	radial, 6-pin, Connector connected to encoder housing	-
SH8	radial, 8-pin, Connector connected to encoder housing	•
SH12	radial, 12-pin, Connector connected to encoder housing	•

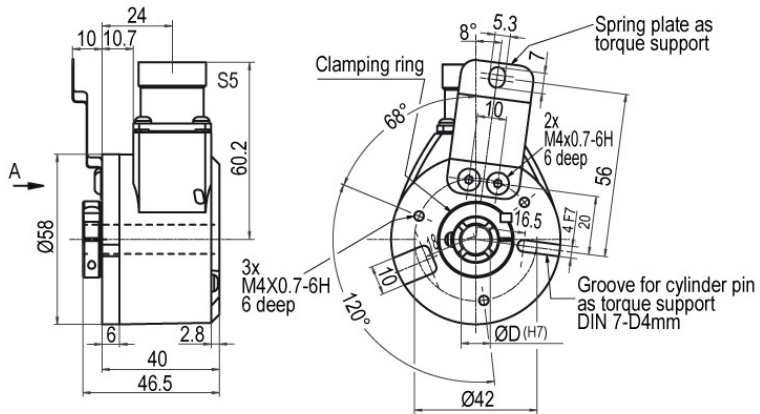
Assignments

	SH5	SH6	SH6	SH8	SH8	SH12	SH12	SH12	SH12	SH12
	5-pin	6-pin	6-pin	8-pin	8-pin	12-pin	12-pin	12-pin	12-pin	12-pin
										
Circuit	F05, H05, F24, H24, H30	G05, G24	F05, H05, F24, H24, H30	F05, H05, F24, H24, H30	P05, R05, P24, R24, R30, 245, 645	G05, G24	F05, H05, F24, H24, H30	I05, I24, 524	P05, R05, P24, R24, 245, 645, R30	SIN
GND	1	6	6	1	1	K, L	K, L	K, L	K, L	K, L
(+) Vcc	2	1	1	2	2	M, B	M, B	M, B	M, B	M, B
A	3	2	2	3	3	E	E	E	E	E
B	4	4	4	4	4	H	H	H	H	H
N	5	3	3	5	5	C	C	C	C	-
Light reserve warning	-	5	-	-	-	G	-	G	-	-
A inv.	-	-	-	-	6	-	-	F	F	F
B inv.	-	-	-	-	7	-	-	A	A	A
N inv.	-	-	-	-	8	-	-	D	D	-
n. c.	-	-	5	6, 7, 8	-	A, D, F, J	A, D, F, G, J	J	G, J	D, G, J
Shield	-	-	-	-	-	-	-	-	-	-

WDGI 58H: Connector (M16x0.75) S3, radial, 7-pin

Description
ABN inv. poss.
S3 radial, 7-pin, Connector connected to encoder housing

-

Assignments		
	S3	S3
	7-pin	7-pin
		
Circuit	G05, G24	F05, H05, F24, H24, H30
GND	1	1
(+) Vcc	2	2
A	3	3
B	4	4
N	5	5
Light reserve warning	6	-
A inv.	-	-
B inv.	-	-
N inv.	-	-
n. c.	7	6, 7
Shield	-	-

WDGI 58H: Connector (M23) S5, radial, 12-pin

Description
ABN inv. poss.
S5 radial, 12-pin, Connector connected to encoder housing

•

Assignments					
	S5	S5	S5	S5	S5
	12-pin	12-pin	12-pin	12-pin	12-pin
Circuit	G05, G24	F05, H05, F24, H24, H30	I05, I24, 524	P05, R05, P24, R24, 245, 645, R30	SIN
GND	10	10	10	10	10
(+) Vcc	12	12	12	12	12
A	5	5	5	5	5
B	8	8	8	8	8
N	3	3	3	3	-
Light reserve warning	11	-	11	-	-
A inv.	-	-	6	6	6
B inv.	-	-	1	1	1
N inv.	-	-	4	4	-
n. c.	1, 2, 4, 6, 7, 9	1, 2, 4, 6, 7, 9, 11	2, 7, 9	2, 7, 9, 11	2, 3, 4, 7, 9, 11
Shield	-	-	-	-	-

Options

Low temperature

The encoder WDG1 58H with the output circuit types F24, G24, H24, I24, P24, R24, F05, G05, H05, I05, P05, R05, 245, 524, 645 is also available with the extended temperature range -40 °C up to +85 °C [-40 °F up to +185 °F] (measured at the flange).

Order key

ACA

Pressure equalising membrane

The WDG1 58H shaft encoder is also optionally available with a pressure equalising membrane. This prevents water from penetrating into the encoder housing in the case of high air humidity.

The IP67 protection level, temperature range and salt spray resistance are maintained. Resistant to chemicals and solvents in accordance with DIN EN ISO 2812-1.

Order key

ACR

Cable length

The encoder WDG1 58H can be supplied with more than 2 m cable. The maximum cable length depends on the supply voltage and the frequency; see www.wachendorff-automation.com/atd

Please extend the standard order code with a three figure number, specifying the cable length in decimetres.

Example: 5 m cable = 050

Order key

XXX = Decimeter

Example Order No.	Type				Your encoder
WDGI 58H	WDGI 58H				WDGI 58H
Bore size					
10	08; 10; 12; 3Z= Ø 12.7 mm, Ø 1/2"; 14; 15				
Pulses per revolution PPR:					
1024	4, 6, 10, 25, 32, 36, 50, 60, 64, 70, 88, 100, 120, 125, 127, 150, 180, 200, 240, 250, 254, 256, 300, 314, 360, 400, 500, 512, 600, 625, 720, 750, 768, 800, 810, 900, 1000, 1024, 1200, 1250, 1270, 1440, 1500, 1800, 2000, 2048, 2400, 2500, 3000, 3600, 4000, 4096, 4685, 5000, 8192, 10000, 10240, 12500, 16384, 20000, 20480, 25000 1 Vpp Sin/Cos only 1024, 2048 Other PPRs on request				
Channels:					
ABN	AB, ABN (SIN: AB)				
Output circuit					
G24	Resolution PPR	Power supply VDC	Output circuit	Light reserve warning	Order key
	up to 2500	5 - 30	HTL	-	H30
		5 - 30	HTL inverted	-	R30
	up to 5000	4.75 - 5.5	TTL	•	G05
		4.75 - 5.5	TTL	-	H05
		4.75 - 5.5	TTL, RS422 comp., inverted	•	I05
		4.75 - 5.5	TTL, RS422 comp., inverted	-	R05
		10 - 30	HTL	•	G24
		10 - 30	HTL	-	H24
		10 - 30	HTL inverted	•	I24
		10 - 30	HTL inverted	-	R24
		10 - 30	TTL, RS422 comp., inverted	•	524
		10 - 30	TTL, RS422 comp., inverted	-	245
	(higher frequency) 1200 up to 25000	4.75 - 5.5	TTL	-	F05
		4.75 - 5.5	TTL, RS422 comp., inverted	-	P05
		10 - 30	HTL	-	F24
		10 - 30	HTL inverted	-	P24
	1024, 2048	4.75 - 5.5	1 Vpp sin/cos	-	SIN
	Electrical connections				
K3	Description			ABN inv. poss.	Order key
	Cable: length (2 m standard, WDG 58T: 1 m)				
	radial, shield not connected			•	K3
	radial, shield connected to encoder housing			•	L3
	Connector: (shield connected to encoder housing)				
	connector, M16x0.75, 5-pin, radial			-	SH5
	connector, M16x0.75, 6-pin, radial			-	SH6
	connector, M16x0.75, 8-pin, radial			•	SH8
	connector, M16x0.75, 12-pin, radial			•	SH12
	connector, M16x0.75, 7-pin, radial			-	S3
	connector, M23, 12-pin, radial			•	S5
	connector, clockwise pin count, M23, 12-pin, radial			•	S5R
	sensor-connector, M12x1, 4-pin, radial			-	SC4
	sensor-connector, M12x1, 5-pin, radial			-	SC5
	sensor-connector, M12x1, 8-pin, radial			•	SC8
	sensor-connector, M12x1, 12-pin, radial			•	SC12

Options		
Description	Order key	
Low temperature	ACA	
Pressure equalising membrane	ACR	
Without option	Empty	
Cable length	XXX = Decimeter	

Example Order No.=	WDGI 58H	10	1024	ABN	G24	K3		WDGI 58H							Your encoder
---------------------------	----------	----	------	-----	-----	----	--	----------	--	--	--	--	--	--	---------------------



For further information please contact our local distributor.
Here you find a list of our distributors worldwide.
<https://www.wachendorff-automation.com/>



Wachendorff Automation GmbH & Co. KG
Industriestrasse 7 • 65366 Geisenheim
Germany

Phone: +49 67 22 / 99 65 25
Fax: +49 67 22 / 99 65 70
E-Mail: wdg@wachendorff.de
www.wachendorff-automation.de

