



Online Data Sheet

Encoder WDG 50B

www.wachendorff-automation.com/wdg50b

Wachendorff Automation

... systems and encoders

- Complete systems
- Industrial rugged encoders to suit your application
- Standard range and customer versions
- Maximum permissible loads
- 48-hour express production
- Made in Germany
- Worldwide distributor network

Encoder WDG 50B



- Economic encoder with mechanical carrying of loading
- Protection to IP67, shaft sealed to IP65
- Optional: -40 °C up to +85 °C

www.wachendorff-automation.com/wdg50b

Resolution

Max. pulses per revolution up to 2500 PPR
 PPR

Mechanical Data

Housing

Flange	clamping flange
Flange material	aluminum
Housing cap	aluminum, powder coated
Housing	Ø 50 mm
Cam mounting	pitch 61 mm

Shaft(s)

Shaft material	stainless steel
Starting torque	approx. 0.3 Ncm at ambient temperature

Shaft	Ø 8 mm
Shaft length	L: 15 mm
Max. Permissible shaft loading radial	120 N
Max. Permissible shaft loading axial	70 N

Bearings

Bearings type	2 precision ball bearings
Nominal service life	2 x 10 ⁸ revs. at 100 % rated shaft load 3 x 10 ⁹ revs. at 40 % rated shaft load 2 x 10 ¹⁰ revs. at 20 % rated shaft load
Max. operating speed	12000 rpm

Machinery Directive: basic data safety integrity level

MTTF _d	200 a
Mission time (TM)	25 a
Nominal service life (L10h)	2 x 10 ¹⁰ revs. at 20 % rated shaft load and 12000 rpm
Diagnostic coverage (DC)	0 %

Electrical Data

Power supply/Current consumption	4,75 VDC up to 5,5 VDC: typ. 70 mA
Power supply/Current consumption	10 VDC up to 30 VDC: typ. 70 mA
Output circuit	TTL, RS422 compatible, inv. HTL
Pulse frequency	TTL 2500 ppr: max. 200 kHz HTL 2500 ppr: max. 200 kHz

Channels

AB
 ABN
 and inverted signals

Load

max. 40 mA / channel

Circuit protection

circuit type H24 and R24 only

Accuracy

Phase offset	90° ± max. 7.5 % of the period duration
pulse-/pause-ratio	50 % ± max. 7 %

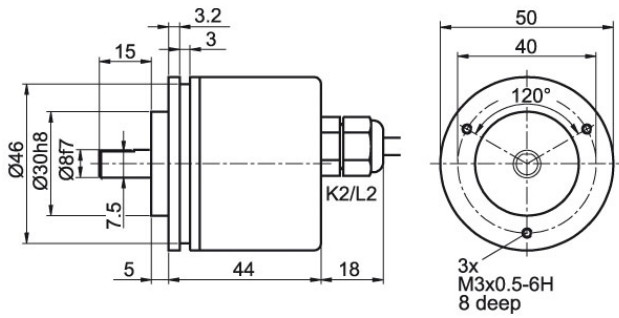
General Data

Weight	approx. 160 g
Connections	cable or connector outlet
Protection rating (EN 60529)	Housing: IP65, IP67; shaft sealed: IP65
Operating temperature	-20 °C up to +80 °C
Storage temperature	-30 °C up to +80 °C

More Information

General technical data and safety instructions
<http://www.wachendorff-automation.com/gtd>

Options
<http://www.wachendorff-automation.com/acc>

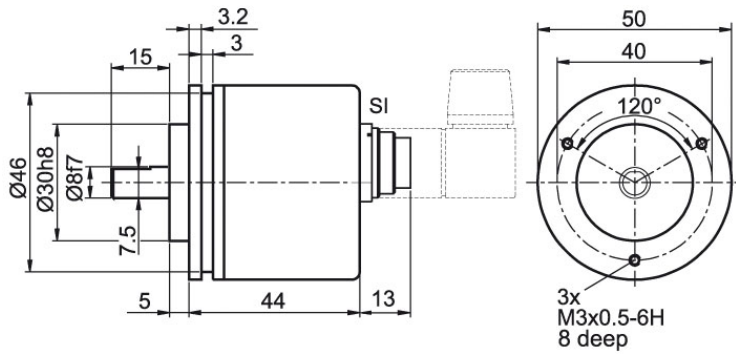
Cable connection K2, L2 with 2 m cable

Description
ABN inv. poss.
K2 axial, shield not connected

•





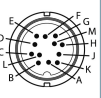
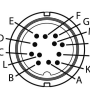
L2 axial, shield connected to encoder housing

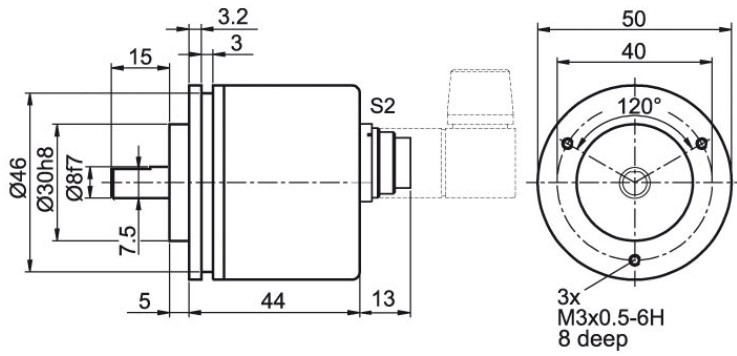
•

Assignments		
	K2, L2	K2, L2
Circuit	H05, H24	R05, R24
GND	WH	WH
(+) Vcc	BN	BN
A	GN	GN
B	YE	YE
N	GY	GY
Light reserve warning	-	-
A inv.	-	RD
B inv.	-	BK, (BU at ACA)
N inv.	-	VT
Shield	flex	flex


Cable connection (M16x0.75) SI, 5-, 6-, 8-, 12-pin


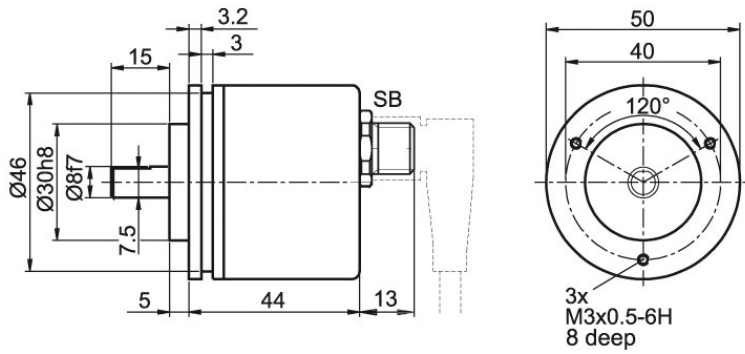
Description	ABN inv. poss.
SI5 axial, 5-pin, Connector connected to encoder housing	-
SI6 axial, 6-pin, Connector connected to encoder housing	-
SI8 axial, 8-pin, Connector connected to encoder housing	•
SI12 axial, 12-pin, Connector connected to encoder housing	•

Assignments						
	SI5	SI6	SI8	SI8	SI12	SI12
	5-pin	6-pin	8-pin	8-pin	12-pin	12-pin
						
Circuit	H05, H24	H05, H24	H05, H24	R05, R24	H05, H24	R05, R24
GND	1	6	1	1	K, L	K, L
(+) Vcc	2	1	2	2	M, B	M, B
A	3	2	3	3	E	E
B	4	4	4	4	H	H
N	5	3	5	5	C	C
Light reserve warning	-	-	-	-	-	-
A inv.	-	-	-	6	-	F
B inv.	-	-	-	7	-	A
N inv.	-	-	-	8	-	D
n. c.	-	5	6, 7, 8	-	A, D, F, G, J	G, J
Shield	-	-	-	-	-	-

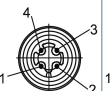

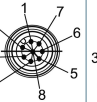
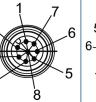
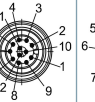
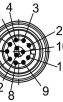
Connector (M16x0.75) S2, 7-pin

Description
ABN inv. poss.
S2 axial, 7-pin, Connector connected to encoder housing

-

Assignments	
	S2
	7-pin
	
Circuit	H05, H24
GND	1
(+) Vcc	2
A	3
B	4
N	5
Light reserve warning	-
A inv.	-
B inv.	-
N inv.	-
n. c.	6, 7
Shield	-

Sensor-connector (M12x1) SB, 4-, 5-, 8-, 12-pin


Description	ABN inv. poss.
SB4 axial, 4-pin, Connector connected to encoder housing	-
SB5 axial, 5-pin, Connector connected to encoder housing	-
SB8 axial, 8-pin, Connector connected to encoder housing	•
SB12 axial, 12-pin, Connector connected to encoder housing	•

Assignments						
	SB4	SB5	SB8	SB8	SB12	SB12
	4-pin	5-pin	8-pin	8-pin	12-pin	12-pin
						
Circuit	H05, H24	H05, H24	H05, H24	R05, R24	H05, H24	R05, R24
GND	3	3	1	1	3	3
(+) Vcc	1	1	2	2	1	1
A	2	4	3	3	4	4
B	4	2	4	4	6	6
N	-	5	5	5	8	8
Light reserve warning	-	-	-	-	-	-
A inv.	-	-	-	6	-	9
B inv.	-	-	-	7	-	7
N inv.	-	-	-	8	-	10
n. c.	-	-	6, 7, 8	-	2, 5, 7, 9, 10, 11, 12	2, 5, 11, 12
Shield	-	-	-	-	-	-

Options

Low-friction bearings

The encoder WDG 50B is also available as a particularly smooth-running low-friction encoder. The starting torque is thereby changed to 0.25 Ncm and the protection class at the shaft input to IP50.

Order key

AAC

Low temperature

The encoder WDG 50B with the output circuit types H24, R24 is also available with the extended temperature range -40 °C up to +80 °C (measured at the flange).

Order key

ACA

Cable length

The encoder WDG 50B can be supplied with more than 2 m cable. The maximum cable length depends on the supply voltage and the frequency; see www.wachendorff-automation.com/atd

Please extend the standard order code with a three figure number, specifying the cable length in decimetres.

Example: 5 m cable = 050

Order key

XXX = Decimeter

Example Order No.	Type				Your encoder
WDG 50B	WDG 50B				WDG 50B
Pulses per revolution PPR:					
2048	4, 9, 10, 15, 20, 25, 28, 30, 36, 40, 50, 60, 90, 100, 120, 125, 128, 150, 160, 180, 200, 235, 250, 300, 314, 318, 360, 400, 500, 600, 635, 720, 900, 1000, 1024, 1080, 1200, 1250, 1500, 1800, 2000, 2048, 2500 Other PPRs on request				
Channels:					
ABN	AB, ABN bis 2048 I/U				
Output circuit					
H24	Resolution PPR	Power supply VDC	Output circuit	Light reserve warning	Order key
	up to 2500	4.75 - 5.5	TTL	-	H05
		4.75 - 5.5	TTL, RS422 comp., inverted	-	R05
		10 - 30	HTL	-	H24
10 - 30		HTL inverted	-	R24	
Electrical connections					
K2	Description			ABN inv. poss.	Order key
	Cable: length (2 m standard, WDG 58T: 1 m)				
	axial, shield not connected			•	K2
	axial, shield connected to encoder housing			•	L2
	Connector: (shield connected to encoder housing)				
	connector, M16x0.75, 5-pin, axial			-	SI5
	connector, M16x0.75, 6-pin, axial			-	SI6
	connector, M16x0.75, 8-pin, axial			•	SI8
	connector, M16x0.75, 12-pin, axial			•	SI12
	connector, M16x0.75, 7-pin, axial			-	S2
	sensor-connector, M12x1, 4-pin, axial			-	SB4
	sensor-connector, M12x1, 5-pin, axial			-	SB5
	sensor-connector, M12x1, 8-pin, axial			•	SB8
	sensor-connector, M12x1, 12-pin, axial			•	SB12
Options					
Description			Order key		
Low-friction bearings			AAC		
Low temperature			ACA		
Without option			Empty		
Cable length			XXX = Decimeter		

Example Order No.=	WDG 50B	2048	ABN	H24	K2		WDG 50B					Your encoder
---------------------------	---------	------	-----	-----	----	--	---------	--	--	--	--	---------------------



For further information please contact our local distributor.
Here you find a list of our distributors worldwide.
<https://www.wachendorff-automation.com/>



Wachendorff Automation GmbH & Co. KG
Industriestrasse 7 • 65366 Geisenheim
Germany

Phone: +49 67 22 / 99 65 25
Fax: +49 67 22 / 99 65 70
E-Mail: wdg@wachendorff.de
www.wachendorff-automation.de

