

General

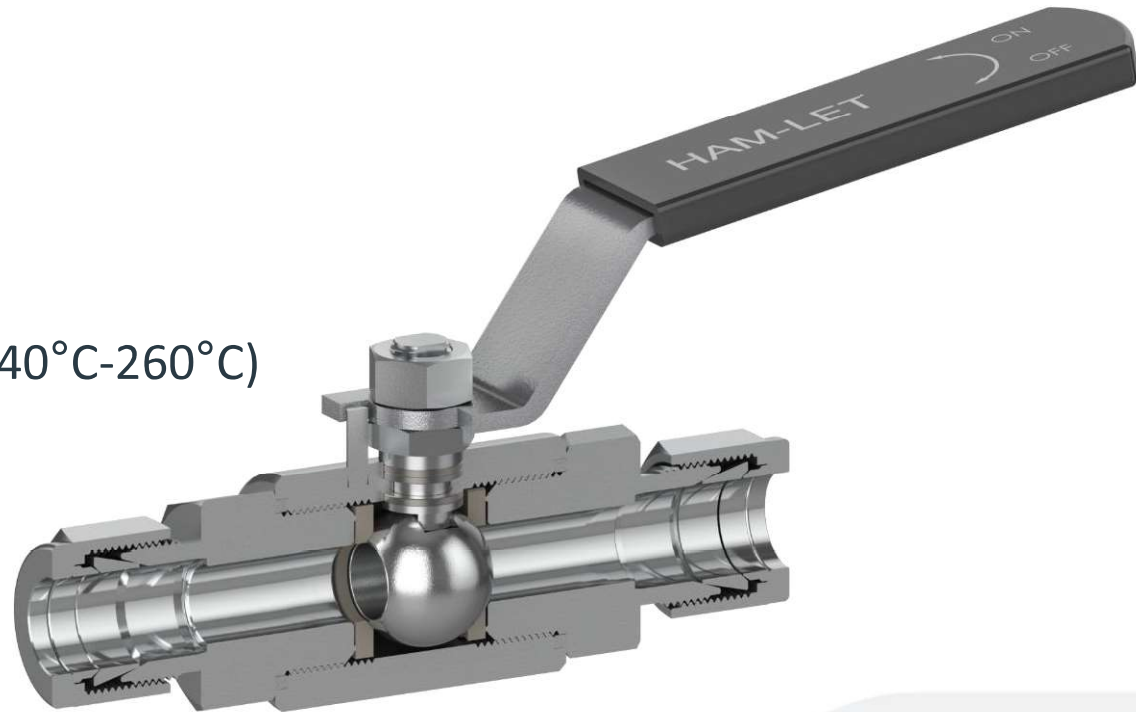
The H-1700 Series is a high-performance instrumentation ball valve for general service.

The H-1700 series fits heavy duty service, thanks to its superior robust design, featuring ease of use and high cycle durability



Features

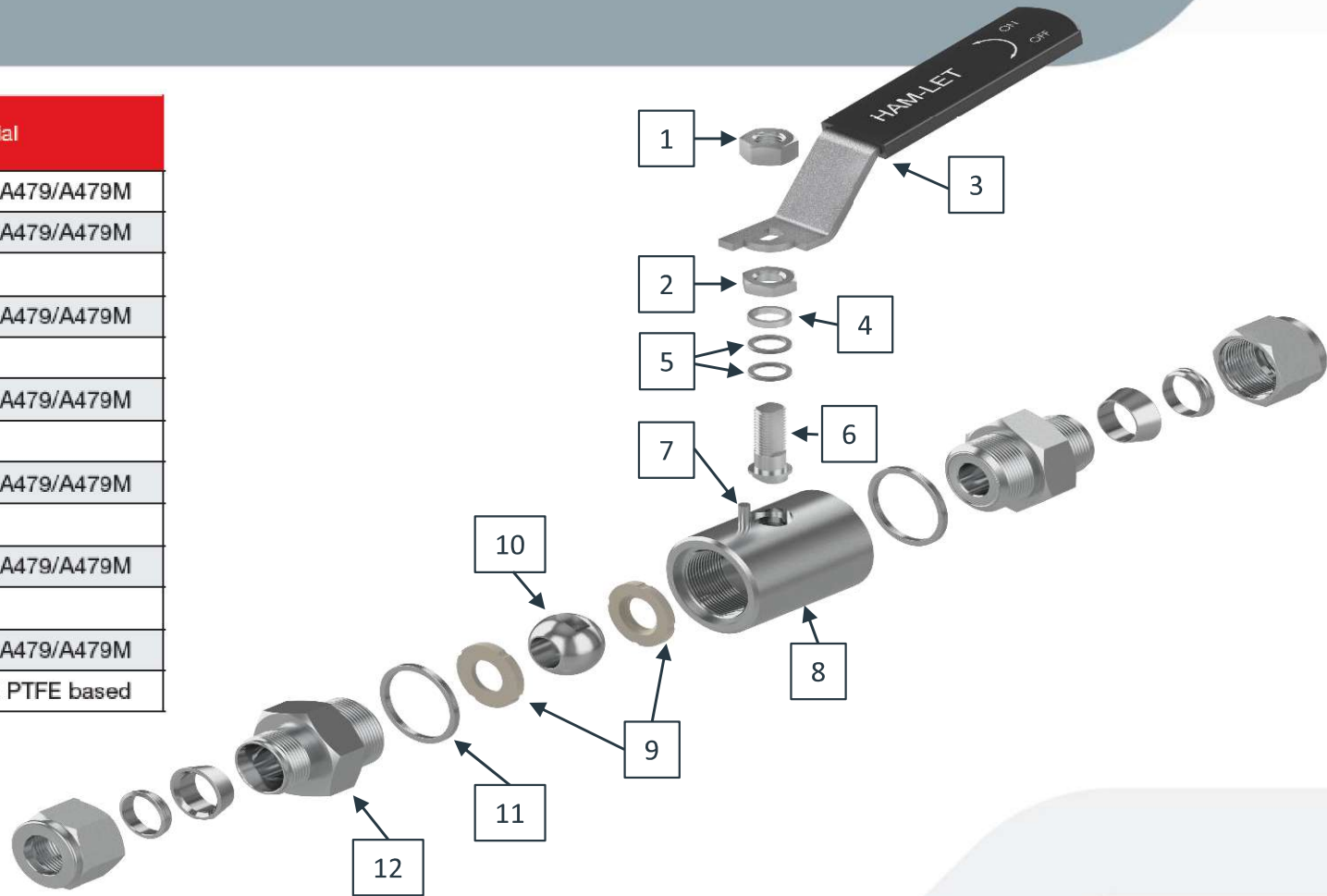
- Shut-off service ball valve with 2-way pattern
- Stainless steel 316 3-piece construction
- Blow-out proof stem
- MAWP 6000 psi (413 bar)
- Temperature range: 40°F up to 500°F (-40°C-260°C)
- Various end connection types and sizes from 1/8" to 1/2" (3mm to 12mm)



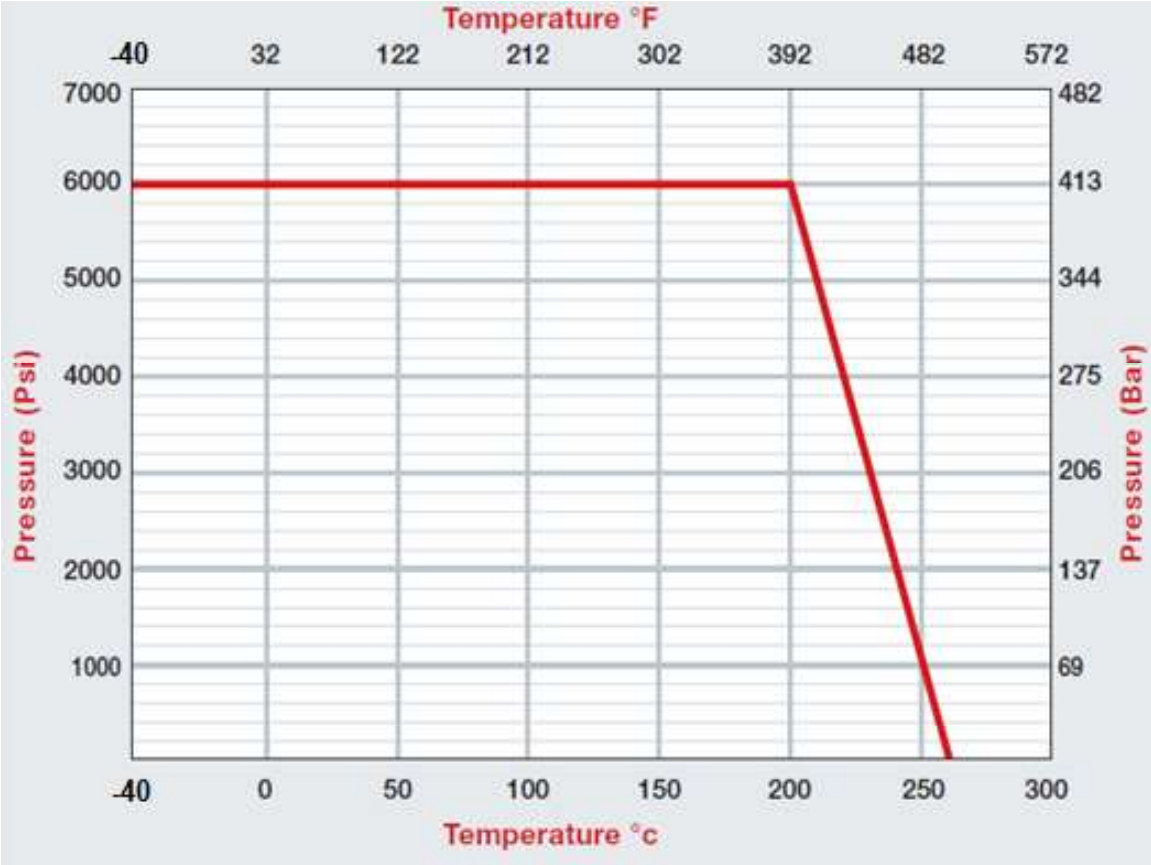
BOM

No.	Components	Qty	Material
1	Upper Nut	1	A.I.S.I 316L ASTM A479/A479M
2	Lower Nut	1	A.I.S.I 316L ASTM A479/A479M
3	Handle	1	A.I.S.I 316
4	Flat Washer	1	A.I.S.I 316L ASTM A479/A479M
5	*Packing	3	PEEK
6	*Stem	1	A.I.S.I 316L ASTM A479/A479M
7	Pin	1	A.I.S.I 303
8	*Body	1	A.I.S.I 316L ASTM A479/A479M
9	*Seat	2	PEEK
10	*Ball	1	A.I.S.I 316L ASTM A479/A479M
11	Gasket	2	PEEK
12	*End	2	A.I.S.I 316L ASTM A479/A479M
	Lubricant		Silicone based and PTFE based

*Wetted Parts

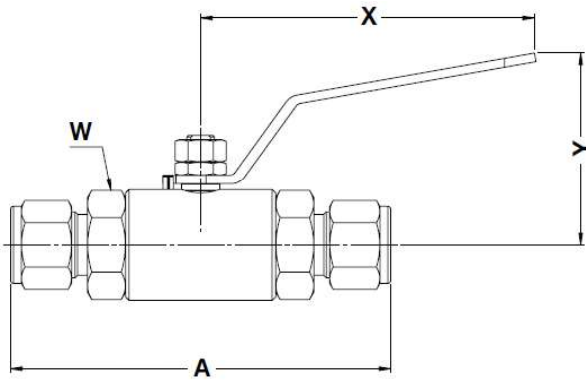


Pressure/Temperature rating



Size Range

size	End connection	orifice		A		X		Y		W
		mm	inch	mm	inch	mm	inch	mm	inch	mm
1/8	Let-Lok®	2.3	0.09	95.5	3.76	96	3.78	54.9	2.16	27
1/4		4.8	0.19	100.3	3.95	96	3.78	54.9	2.16	27
3/8		7.1	0.28	103.4	4.07	96	3.78	54.9	2.16	27
1/2		10	0.39	109.0	4.29	96	3.78	54.9	2.16	27
3mm	Let-Lok®	2.3	0.09	95.5	3.76	96	3.78	54.9	2.16	27
6mm		4.8	0.19	100.3	3.95	96	3.78	54.9	2.16	27
8mm		6.4	0.25	102.1	4.02	96	3.78	54.9	2.16	27
10mm		7.9	0.31	103.9	4.09	96	3.78	54.9	2.16	27
12mm		10	0.39	109.0	4.29	96	3.78	54.9	2.16	27
1/8	Female NPT/BSPT	7.8	0.31	77.7	3.06	96	3.78	54.9	2.16	27
1/4		10	0.39	77.7	3.06	96	3.78	54.9	2.16	27
3/8		10	0.39	77.7	3.06	96	3.78	54.9	2.16	27
1/2		10	0.39	77.7	3.06	96	3.78	54.9	2.16	27
1/8	Male NPT/BSPT	4.8	0.19	88.4	3.48	96	3.78	54.9	2.16	27
1/4		7.1	0.28	97.3	3.83	96	3.78	54.9	2.16	27
3/8		9.6	0.38	97.3	3.83	96	3.78	54.9	2.16	27
1/2		10	0.39	106.9	4.21	96	3.78	54.9	2.16	27



Product differentiation

	H-1700	H6800
Pressure	6000 PSI	6000 PSI
Temperature	-40°C to 260°C	-34°C to 260°C
RM	St.St 316	St.St 316, Monel, Alloy C-276, Super duplex
Seat	PEEK	PEEK, M.PTFE, PCTFE
Type of end connection	Let-Lok, F/MNPT, BSPT	Let-Lok, F/MNPT, BSPP, BSPT, HTC
Size Range	1/8" up to 1/2"	1/16" up to 1"
Manual/Actuated	Manual	Manual + Actuated
Treatments	Oxygen Clean, Silicone Free	Oxygen Clean, Lubricant Free, Silicone Free
Orifice (mm)	2.3 - 10	1.3 – 10.3
Bore sealing style	Floating ball	Floating ball
Life cycle	500 cycle	N/A