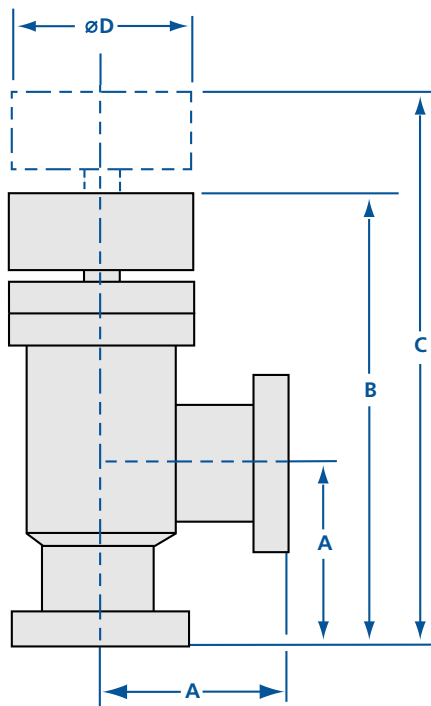


Isolation Valves - Manual Viton Seal Angle Valves



SPECIFICATIONS

Port ODs: $\frac{3}{8}$ to 3 inches

Materials

Body: Electropolished 304 stainless steel
Bellows: Welded AM-350 stainless steel
Bonnet seal: Viton
Poppet seal: Viton
Other O-ring compounds available

Actuation: Self-lubricating bronze nuts with ACME threads

Differential pressure

Maximum 20 psia across valve seat

Maximum temperature with Viton seals

Sustained: $\leq 150^{\circ}\text{C}$

Intermittent: $\leq 204^{\circ}\text{C}$

Vacuum range

Viton bonnet seal: $\geq 1 \times 10^{-9}$ Torr-High Vacuum

Options: Fittings and O-rings.

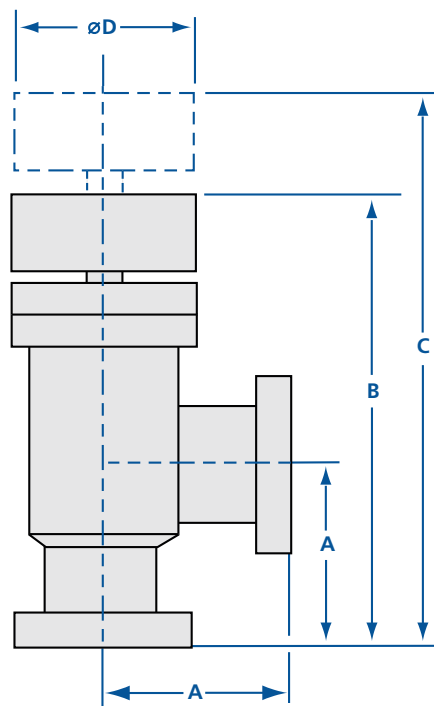
Thermal: Heater jackets and controllers available for all valves. *Call for details*

Manual Viton Seal Angle Valves

MODEL NUMBER	PORT OD	DESCRIPTION	A	B	C	D
ESV-038	$\frac{3}{8}$	No flanges	1.50	4.06	4.44	2.25
ESV-0382-CF	$\frac{3}{8}$	Rotatable 1.33 CF	1.60	4.16	4.54	2.25
ESV-0382-NWB	$\frac{3}{8}$	NW-10B	1.65	4.21	4.59	2.25
ESV-050	$\frac{1}{2}$	No flanges	1.50	4.06	4.56	2.25
ESV-0502-CF	$\frac{1}{2}$	Rotatable 1.33 CF	1.60	4.16	4.66	2.25
ESV-0502-NWB	$\frac{1}{2}$	NW-10B	1.65	4.21	4.71	2.25
ESV-075	$\frac{3}{4}$	No flanges	2.00	4.56	5.31	2.25
ESV-0752-CF	$\frac{3}{4}$	Rotatable 1.33 CF	2.50	5.06	5.81	2.25
ESV-0752-NWB	$\frac{3}{4}$	NW-16B	2.15	4.71	5.46	2.25
ESV-100	1	No flanges	1.88	4.32	5.32	2.25
ESV-1002-CF	1	Rotatable 2.12 CF	2.05	4.49	5.49	2.25
ESV-1002-NWB	1	NW-25B	2.03	4.47	5.47	2.25
ESV-150	$1\frac{1}{2}$	No flanges	2.25	5.63	7.13	3.00
ESV-1502-CF	$1\frac{1}{2}$	Rotatable 2.75 CF	2.46	5.84	7.34	3.00
ESV-1502-NWB	$1\frac{1}{2}$	NW-40B	2.40	5.78	7.28	3.00
ESV-200	2	No flanges	3.25	7.85	9.85	3.50
ESV-2002-CF	2	Rotatable 3.38 CF	3.48	8.08	10.08	3.50
ESV-2002-NWB	2	NW-50B	3.40	8.00	10.00	3.50
ESV-2002-ASA	2	Rotatable ASA-5-200R	3.50	8.10	10.10	3.50
ESV-250	$2\frac{1}{2}$	No flanges	3.00	8.27	10.77	4.00
ESV-2502-CF	$2\frac{1}{2}$	Rotatable 4.50 CF	3.38	8.65	11.15	4.00
ESV-2502-ISO	$2\frac{1}{2}$	ISO-63-250-OF	3.25	8.52	11.02	4.00
ESV-2502-ASA	$2\frac{1}{2}$	Rotatable ASA-5-250R	3.25	8.52	11.02	4.00
ESV-300	3	No flanges	3.25	8.68	11.68	4.50
ESV-3002-CF	3	Rotatable 4.62 CF	3.53	8.96	11.96	4.50
ESV-3002-ISO	3	ISO-80-300-OF	3.50	8.93	11.93	4.50
ESV-3002-ASA	3	Rotatable ASA-6-300R	3.50	8.93	11.93	4.50



Isolation Valves - Manual Copper Seal Angle Valves



SPECIFICATIONS

Port ODs: 3/8 to 3 inches

Materials

Body: Electropolished 304 stainless steel

Bellows: Welded AM-350 stainless steel

Bonnet seal: Copper

Poppet seal: Viton

Other O-ring compounds available

Actuation: Self-lubricating bronze nuts with ACME threads

Differential pressure

Maximum 20 psia across valve seat

Vacuum range

Copper bonnet seal: $\geq 1 \times 10^{-10}$ Torr - UHV

Options: Fittings and O-rings.

Thermal: Heater jackets and controllers available for all valves. *Call for details*

Manual Copper Seal Bonnet Angle Valves

MODEL NUMBER	PORT OD	DESCRIPTION	A	B	C	D
CSV-038	3/8	No flanges	1.50	4.06	4.44	2.73
CSV-0382-CF	3/8	Rotatable 1.33 CF	1.60	4.16	4.54	2.73
CSV-050	1/2	No flanges	1.50	4.06	4.56	2.73
CSV-0502-CF	1/2	Rotatable 1.33 CF	1.60	4.16	4.66	2.73
CSV-075	3/4	No flanges	2.00	4.56	5.31	2.73
CSV-0752-CF	3/4	Rotatable 1.33 CF	2.50	5.06	5.81	2.73
CSV-100	1	No flanges	1.88	4.32	5.32	2.73
CSV-1002-CF	1	Rotatable 2.12 CF	2.05	4.49	5.49	2.73
CSV-150	1 1/2	No flanges	2.25	5.63	7.13	3.25
CSV-1502-CF	1 1/2	Rotatable 2.75 CF	2.46	5.84	7.34	3.25
CSV-200	2	No flanges	3.25	7.85	9.85	4.05
CSV-2002-CF	2	Rotatable 3.38 CF	3.48	8.08	10.08	4.05
CSV-250	2 1/2	No flanges	3.00	8.27	10.77	4.61
CSV-2502-CF	2 1/2	Rotatable 4.50 CF	3.38	8.65	11.15	4.61
CSV-300	3	No flanges	3.25	8.68	11.68	5.62
CSV-3002-CF	3	Rotatable 4.62 CF	3.53	8.96	11.96	5.62

