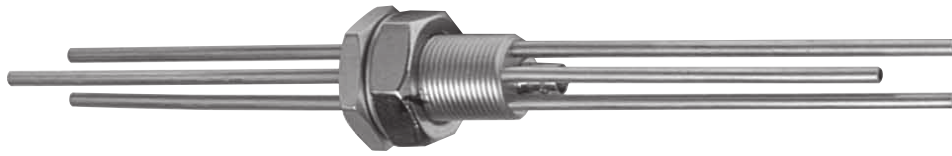


Thin Film Deposition - 1 Inch Bolt Crystal Feedthroughs



SPECIFICATIONS

Materials

Feedthrough: 304 stainless steel

Vacuum range: $\geq 1 \times 10^{-9}$ Torr - High vacuum

Temperature range: $\leq 150^{\circ}\text{C}$

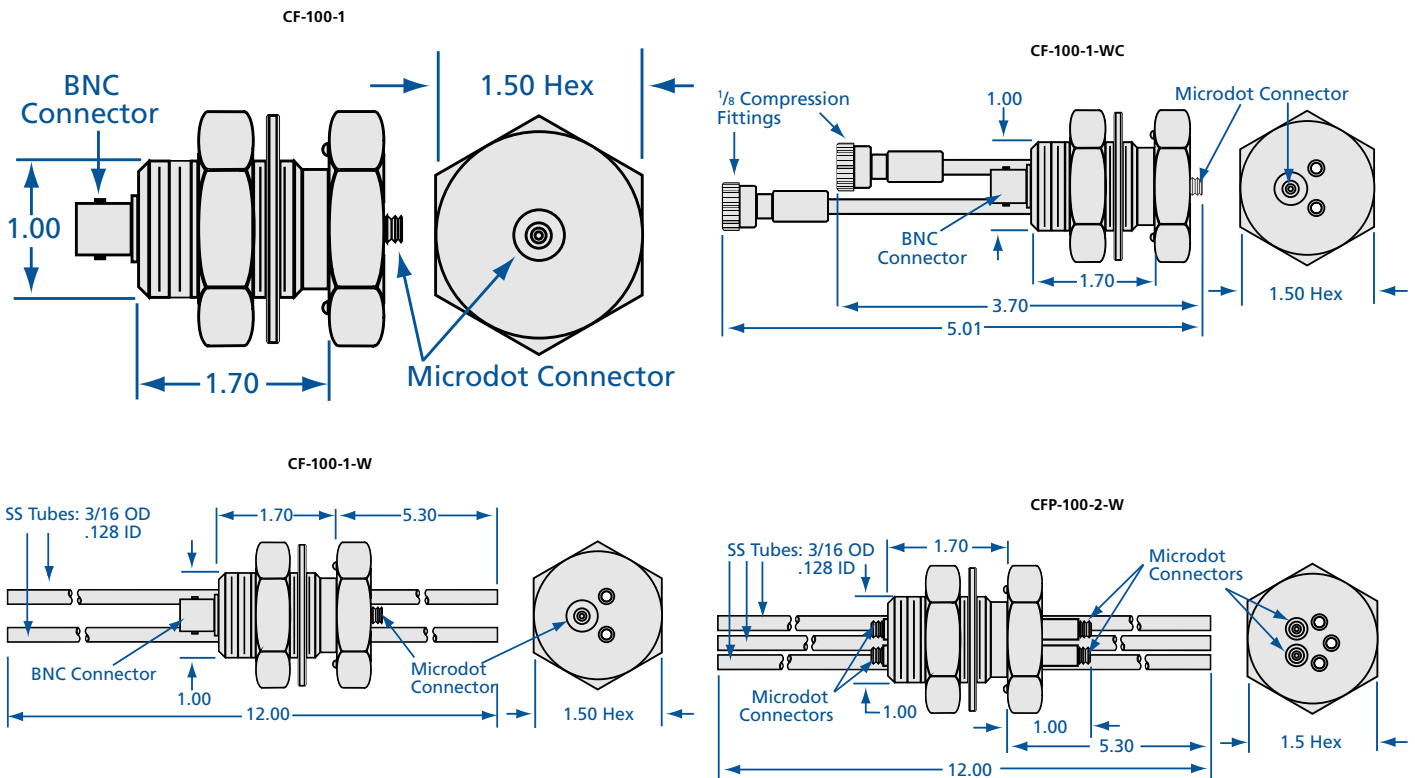
Leak rate: $\leq 10^{-9}$ standard cc/sec

Baseplate thickness: 1 inch maximum

1 Inch Bolt Crystal Feedthroughs

MODEL NUMBER	SENSOR CONNECTIONS	IN VAC CONNECTOR	EXTERNAL CONNECTOR	COOLING LINES	COMPRESSION FITTINGS	AIR LINES
CF-100-1	1	Microdot	BNC	-	-	-
CF-100-1-W	1	Microdot	BNC	2	-	-
CF-100-1-WC	1	Microdot	BNC	2	✓	-
CFP-100-2-W	2	Microdot	Microdot	2	-	1

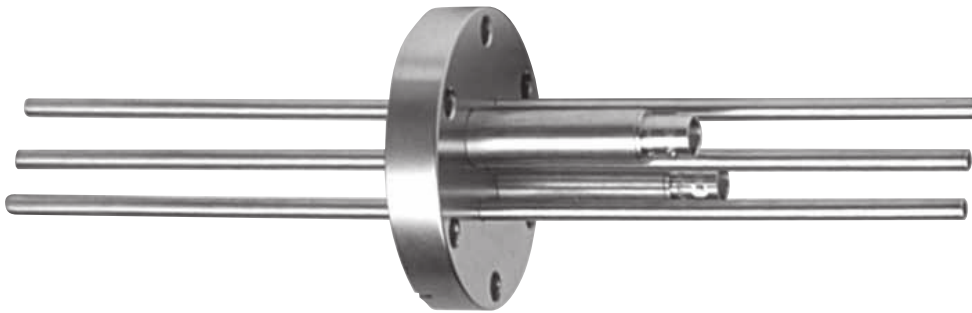
Note: 1.25 inch bolt feedthroughs are available. Call for pricing.



REV 6/16



Thin Film Deposition - CF Flanged Crystal Feedthroughs



SPECIFICATIONS

Materials

Flanges: 304 stainless steel
 Flange sizes: 1¹/₃ to 2³/₄ CF
 Feedthrough: 304 stainless steel

Vacuum range: ≥1 x 10⁻⁹ Torr - High vacuum

Temperature range: ≤150°C

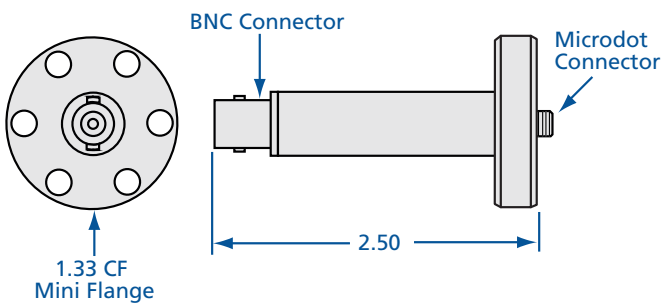
Leak rate: ≤10⁻⁹ standard cc/sec

CF Flanged Crystal Feedthroughs

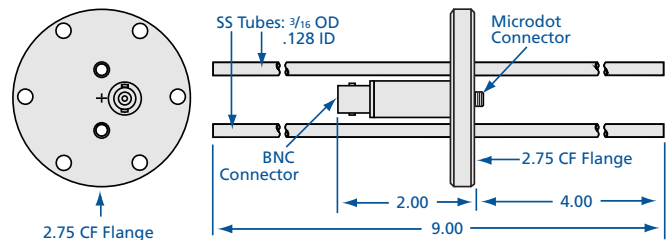
MODEL NUMBER	FLANGE TYPE	SENSOR CONNECTIONS	IN VAC CONNECTOR	EXTERNAL CONNECTOR	COOLING LINES	COMPRESSION FITTINGS	AIR LINES
CF-133-1	1.33 CF	1	Microdot	BNC	-		-
CF-275-1-W	2.75 CF	1	Microdot	BNC	2		-
CF-275-1-WC	1.33 CF	1	Microdot	BNC	2	✓	-
CFP-275-2-W	2.75 CF	2	Microdot	Microdot	2		1

Note: ISO, NW, and ASA flanged feedthroughs are available upon request. Call for pricing.

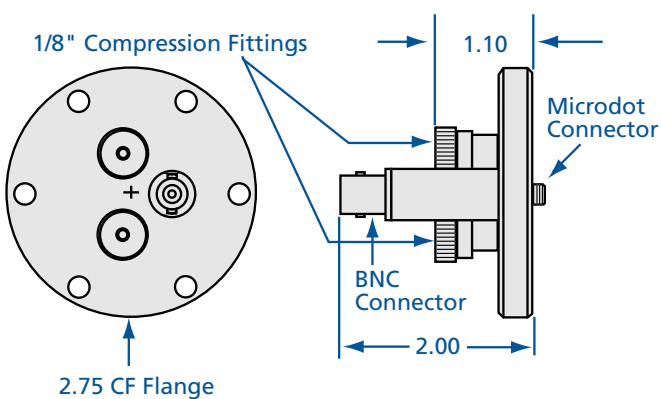
CF-133-1



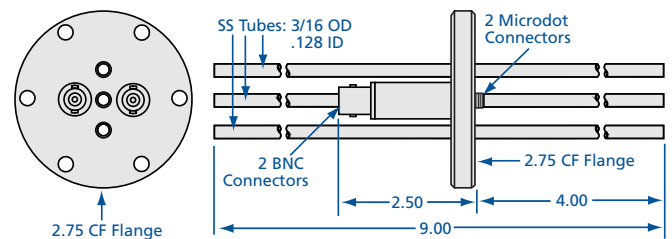
CF-275-1-W



CF-275-1-WC



CFP-275-2-W



REV 6/16

