

Sample Transfer & Manipulation - Utility Hat



SPECIFICATIONS

Construction

Material: 304 stainless steel
Flanges: CF, tapped and clearance holes
see diagram for details
Finish: Electropolished

Operating orientation: Any

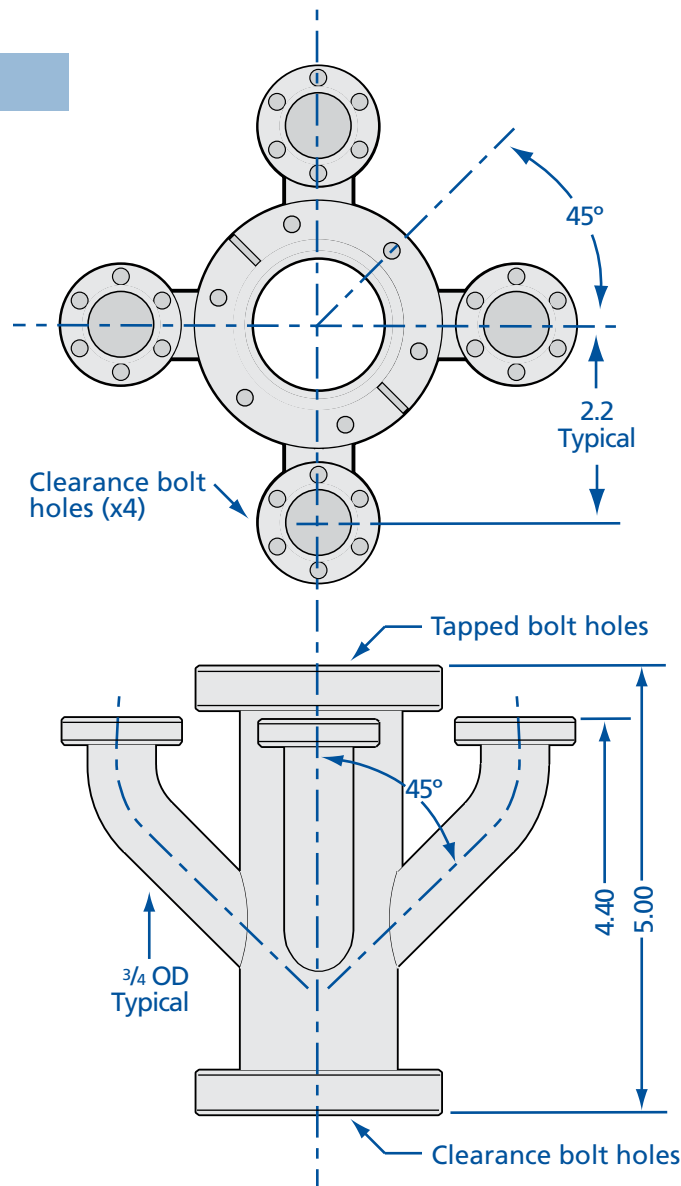
Temperature range: -200°C to 450°C

Vacuum range: $\geq 10^{-10}$ Torr - UHV

Utility Hat

MODEL NUMBER

UH-175-2-133-4



REV 6/16

