

Flanges & Fittings - Weld Fittings

Tees & 4-Way Crosses



Tees

MODEL NUMBER	TUBE OD	WALL THICKNESS	A
G-7W-050	1/2	0.049	0.75
G-7W-075	3/4	0.035	1.00
G-7W-075HW	3/4	0.065	1.88
G-7W-075T	3/4	0.065	1.00
G-7W-100	1	0.065	1.88
G-7W-150	1 1/2	0.065	2.25
G-7W-150H	1 1/2	0.065	2.41
G-7W-200	2	0.065	3.00
G-7W-200H	2	0.065	2.61
G-7W-250	2 1/2	0.065	3.00
G-7W-250V	2 1/2	0.065	3.75
G-7W-300	3	0.065	3.25
G-7W-400	4	0.083	3.88
G-7W-400V	4	0.083	4.87
G-7W-500-B	5	0.083	4.25
G-7W-600-B	6	0.083	5.00
G-7W-600V-B	6	0.083	6.06
G-7W-800-B	8	0.120	7.00
G-7W-1000-B	10	0.120	9.50

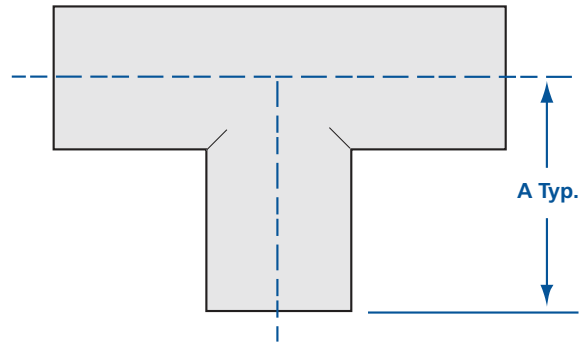
SPECIFICATIONS

Tube OD sizes: 1/2 to 10 inches

Materials: 304 stainless steel
(316L available upon request)

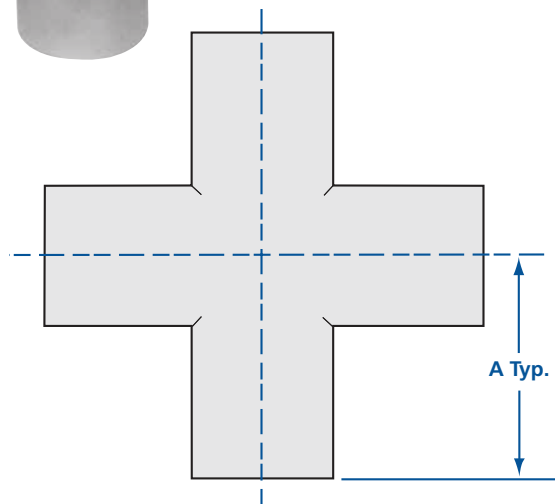
Vacuum range: $\geq 1 \times 10^{-13}$ Torr

Temperature range: -200° to 450°C



4-Way Crosses

MODEL NUMBER	TUBE OD	WALL THICKNESS	A
G-9W-050	1/2	0.049	0.75
G-9W-075	3/4	0.035	1.00
G-9W-100	1	0.065	1.88
G-9W-150	1 1/2	0.065	2.25
G-9W-150H	1 1/2	0.065	2.41
G-9W-200	2	0.065	3.00
G-9W-200H	2	0.065	2.61
G-9W-250	2 1/2	0.065	3.00
G-9W-250V	2 1/2	0.065	3.75
G-9W-300	3	0.065	3.25
G-9W-400	4	0.083	3.88
G-9W-400V	4	0.083	4.87
G-9W-500-B	5	0.083	4.25
G-9W-600-B	6	0.083	5.00
G-9W-600V-B	6	0.083	6.06
G-9W-800-B	8	0.120	7.00
G-9W-1000-B	10	0.120	9.50



Flanges & Fittings - Weld Fittings

Reducer Tees & Reducer Crosses



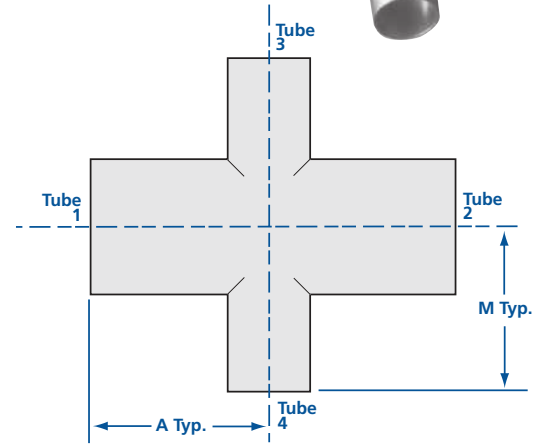
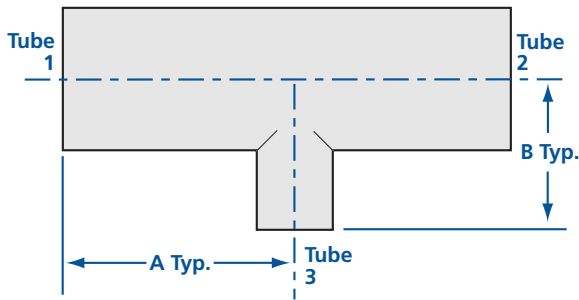
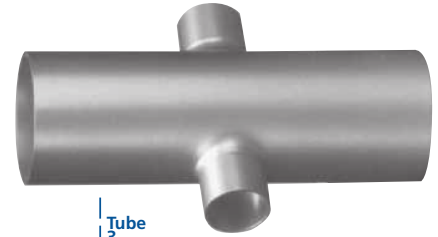
SPECIFICATIONS

Tube OD sizes: 1/2 to 10 inches

Materials: 304 stainless steel
(316L available upon request)

Vacuum range: $\geq 1 \times 10^{-13}$ Torr

Temperature range: -200° to 450°C



Reducer Tees

MODEL NUMBER	TUBE 1 & 2 ARM OD	TUBE 3 LEG OD	A	B
G-7WR-100-050	1	1/2	1.88	1.00
G-7WR-100-075	1	3/4	1.88	1.12
G-7WR-150-050	1 1/2	1/2	2.25	1.25
G-7WR-150-075	1 1/2	3/4	2.25	1.38
G-7WR-150-100	1 1/2	1	2.25	2.13
G-7WR-200-050	2	1/2	3.00	1.50
G-7WR-200-075	2	3/4	3.00	1.63
G-7WR-200-100	2	1	3.00	2.38
G-7WR-200-150	2	1 1/2	3.00	2.50
G-7WR-250-150	2 1/2	1 1/2	3.00	2.75
G-7WR-250-200	2 1/2	2	3.00	3.25
G-7WR-300-150	3	1 1/2	3.25	3.00
G-7WR-300-200	3	2	3.25	3.50
G-7WR-300-250	3	2 1/2	3.25	3.25
G-7WR-400-150-B	4	1 1/2	3.88	3.50
G-7WR-400-200-B	4	2	3.88	4.00
G-7WR-400-250-B	4	2 1/2	3.88	3.75
G-7WR-400-300-B	4	3	3.88	3.75
G-7WR-500-400-B	5	4	4.25	4.38
G-7WR-600-150-B	6	1 1/2	5.00	4.50
G-7WR-600-200-B	6	2	5.00	5.00
G-7WR-600-250-B	6	2 1/2	5.00	4.75
G-7WR-600-300	6	3	5.00	4.75
G-7WR-600-400-B	6	4	5.00	4.88
G-7WR-600-500-B	6	5	5.00	4.75
G-7WR-800-600-B	8	6	7.00	6.00

Reducer Crosses

MODEL NUMBER	TUBE 1 & 2 ARM OD	TUBE 3 & 4 LEG OD	A	M
G-9WR-100-050	1	1/2	1.88	1.00
G-9WR-100-075	1	3/4	1.88	1.12
G-9WR-150-050	1 1/2	1/2	2.25	1.25
G-9WR-150-075	1 1/2	3/4	2.25	1.38
G-9WR-150-100	1 1/2	1	2.25	2.13
G-9WR-200-050	2	1/2	3.00	1.50
G-9WR-200-075	2	3/4	3.00	1.63
G-9WR-200-150	2	1 1/2	3.00	2.50
G-9WR-250-150	2 1/2	1 1/2	3.00	2.75
G-9WR-250-200	2 1/2	2	3.00	3.25
G-9WR-300-150	3	1 1/2	3.25	3.00
G-9WR-300-200	3	2	3.25	3.50
G-9WR-300-250	3	2 1/2	3.25	3.25
G-9WR-400-150-B	4	1 1/2	3.88	3.50
G-9WR-400-200-B	4	2	3.88	4.00
G-9WR-400-250-B	4	2 1/2	3.88	3.75
G-9WR-400-300-B	4	3	3.88	3.75
G-9WR-500-400-B	5	4	4.25	4.38
G-9WR-600-150-B	6	1 1/2	5.00	4.50
G-9WR-600-200-B	6	2	5.00	5.00
G-9WR-600-250-B	6	2 1/2	5.00	4.75
G-9WR-600-300-B	6	3	5.00	4.75
G-9WR-600-400-B	6	4	5.00	4.88
G-9WR-600-500-B	6	5	5.00	4.75
G-9WR-800-600-B	8	6	7.00	6.00

Other reducer combinations can be supplied upon request.

REV 6/16



Flanges & Fittings - Weld Fittings

5-Way & 6-Way Crosses



SPECIFICATIONS

Tube OD sizes: 1/2 to 10 inches

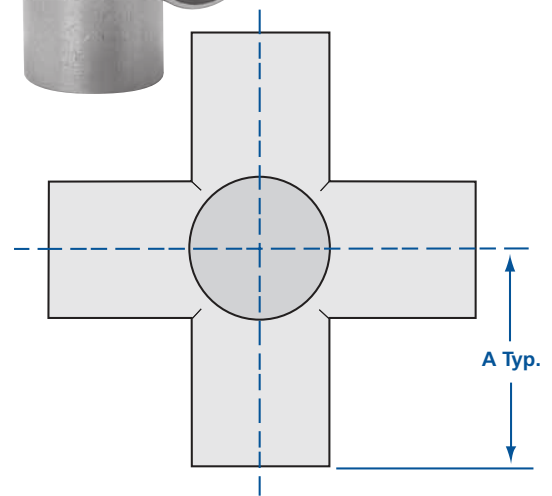
Materials: 304 stainless steel
(316L available upon request)

Vacuum range: $\geq 1 \times 10^{-13}$ Torr

Temperature range: -200° to 450°C

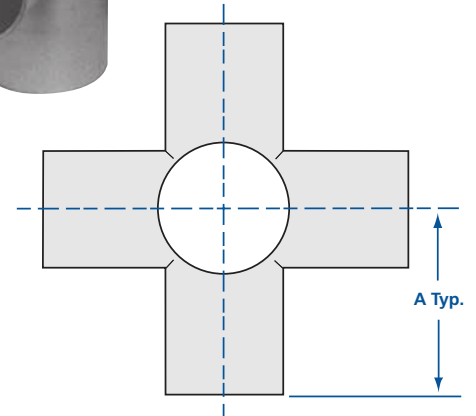
5-Way Crosses

MODEL NUMBER	TUBE OD	WALL THICKNESS	A
G-10W-075	3/4	0.035	1.00
G-10W-100	1	0.065	1.88
G-10W-150	1 1/2	0.065	2.25
G-10W-200	2	0.065	3.00
G-10W-250	2 1/2	0.065	3.00
G-10W-250V	2 1/2	0.065	3.75
G-10W-300-B	3	0.065	3.25
G-10W-400-B	4	0.083	3.88
G-10W-400V-B	4	0.083	4.87
G-10W-500-B	5	0.083	4.25
G-10W-600-B	6	0.083	5.00
G-10W-600V-B	6	0.083	6.06
G-10W-800-B	8	0.120	7.00
G-10W-1000-B	10	0.120	9.50



6-Way Crosses

MODEL NUMBER	TUBE OD	WALL THICKNESS	A
G-11W-075	3/4	0.035	1.00
G-11W-100	1	0.065	1.88
G-11W-150	1 1/2	0.065	2.25
G-11W-200	2	0.065	3.00
G-11W-250	2 1/2	0.065	3.00
G-11W-250V	2 1/2	0.065	3.75
G-11W-300-B	3	0.065	3.25
G-11W-400-B	4	0.083	3.88
G-11W-400V-B	4	0.083	4.87
G-11W-500-B	5	0.083	4.25
G-11W-600-B	6	0.083	5.00
G-11W-600V-B	6	0.083	6.06
G-11W-800-B	8	0.120	7.00
G-11W-1000-B	10	0.120	9.50



REV 6/16

