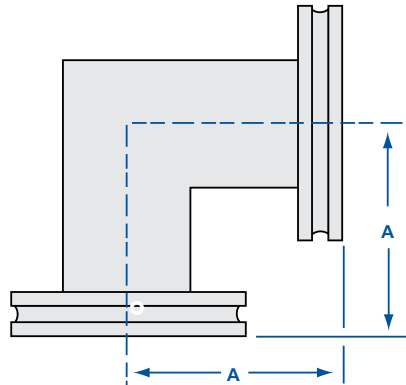


Flanges & Fittings - ISO 90° Mitered & Radius Elbows, 45° Elbows with Tangents



ISO 90° Mitered Elbows

MODEL NUMBER	TUBE OD	A
2E-ISO-63-OF-M	2½	3.25
2E-ISO-80-OF-M	3	3.50
2E-ISO-100-OF-M	4	4.13
2E-ISO-160-OF-M	6	5.38
2E-ISO-200-OF-M	8	7.38
2E-ISO-250-OF-M	10	9.88



SPECIFICATIONS

General: Optional fastener or nonrotatable flanges with clearance bolt holes

Nominal OD sizes: ISO-63 to ISO-500

Tube OD sizes: 2½ to 20 inches

Tube finish: Beadblast, tumbled, or electropolish

Materials

Flange: 304 or 316L stainless steel
Weld Fittings: 304 or 316L stainless

Vacuum range

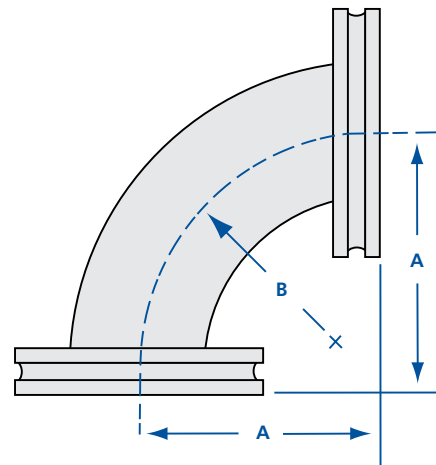
Elastomer seal: $\geq 1 \times 10^{-8}$ Torr -High vacuum

EVAC metal seal: $\geq 1 \times 10^{-11}$ Torr -UHV



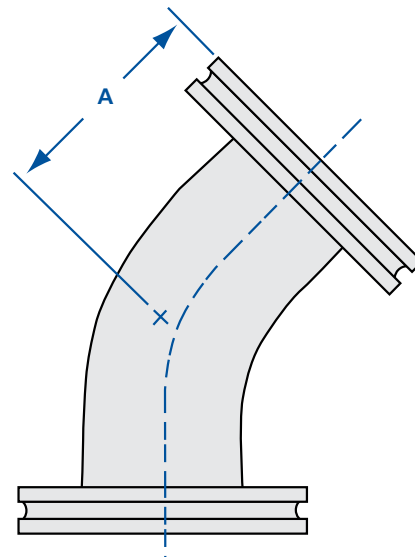
ISO 90° Radius Elbows

MODEL NUMBER	TUBE OD	A	B
2E-ISO-63-OF	2½	4.00	3.75
2E-ISO-80-OF	3	4.75	4.50
2E-ISO-100-OF	4	6.25	6.00
2E-ISO-160-OF	6	9.38	9.00
2E-ISO-200-OF	8	12.38	12.00
2E-ISO-250-OF	10	15.38	15.00



ISO 45° Elbows with Tangents

MODEL NUMBER	TUBE OD	A
2KL-ISO-63-OF	2½	3.25
2KL-ISO-80-OF	3	3.93
2KL-ISO-100-OF	4	5.03



REV 6/16

