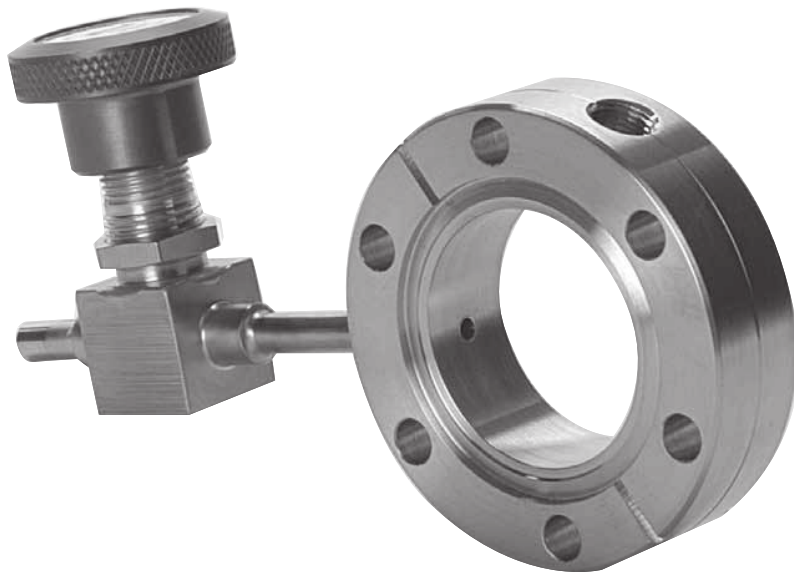


# Flanges & Fittings - CF Fittings & Specialty Flanges - 133 & 275 Double Sided Special Purpose



## SPECIFICATIONS

### General:

Nonrotatable with clearance bolt holes

### Material

Flanges: 304 stainless steel

(316L available on request)

Gaskets: Copper, Viton

Bolts: 18-8 stainless steel

**Torque (inch / lbs):** 1.33=28, 2.75=110

### Vacuum range

Metal seal:  $\geq 1 \times 10^{-13}$  Torr - UHV

Elastomer seal:  $\geq 1 \times 10^{-8}$  Torr - High vacuum

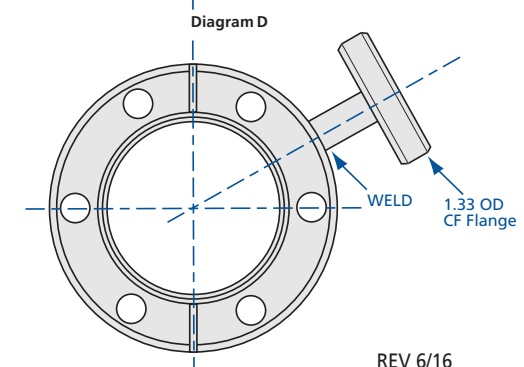
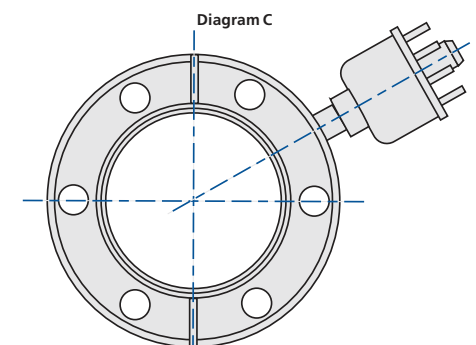
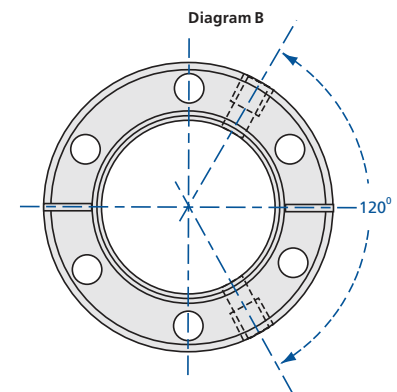
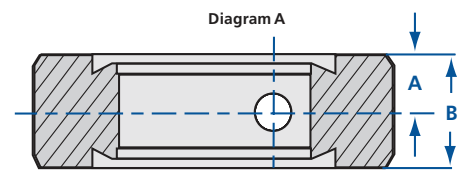
### Temperature range

Metal seal: -200°C to 450°C

Elastomer seal: -20°C to 150°C

## CF Double-Sided Special Purpose Flanges

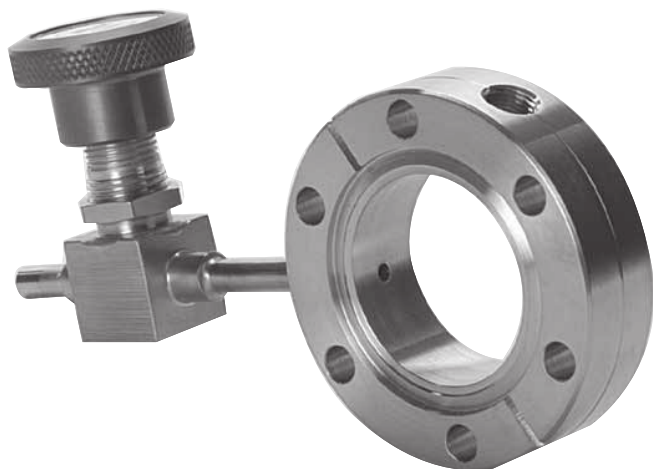
MODEL NUMBER	FLANGE OD	FEATURE	DIAGRAM	A	B
133-D1	1.33	(1) $\frac{1}{16}$ " NPT hole	A	0.25	0.50
275-D1	2.75	(1) $\frac{1}{8}$ " NPT hole	A	0.38	0.75
133-D2	1.33	(2) $\frac{1}{16}$ " NPT holes	B	0.25	0.50
275-D2	2.75	(2) $\frac{1}{8}$ " NPT holes	B	0.38	0.75
133-DT	1.33	Thermocouple gauge tube	C	0.25	0.50
275-DT	2.75	Thermocouple gauge tube	C	0.38	0.75
275-DS-MINI	2.75	(1) 1.33" OD side port	D	0.38	0.75



REV 6/16



# Flanges & Fittings - CF - Double-Sided Special Purpose Flanges



## SPECIFICATIONS

### General:

Nonrotatable with clearance bolt holes

### Material

Flanges: 304 stainless steel

(316L available on request)

Gaskets: Copper, Viton

Bolts: 18-8 stainless steel

**Torque (inch /lbs):** 1.33=28, 2.75=110

### Vacuum range

Metal seal:  $\geq 1 \times 10^{-13}$  Torr - UHV

Elastomer seal:  $\geq 1 \times 10^{-8}$  Torr - High vacuum

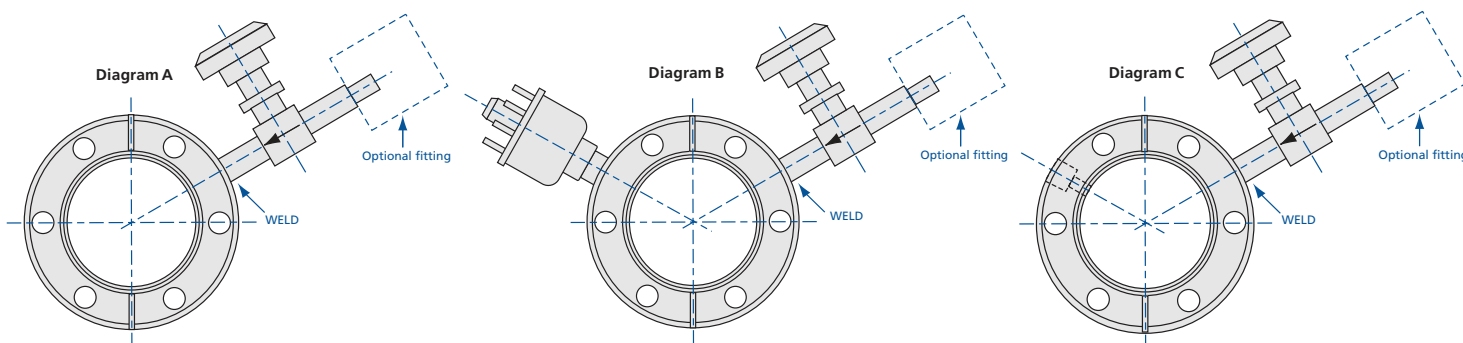
### Temperature range

Metal seal: -200°C to 450°C

Elastomer seal: -20°C to 150°C

## CF Double-Sided Special Purpose Flanges

MODEL NUMBER	FLANGE OD	FEATURE	DIAGRAM	A	B
133-DV	1.33	Up-to-air valve	A	0.25	0.50
275-DV	2.75	Up-to-air valve	A	0.38	0.75
133-DV-1/4 MVCR	1.33	Up-to-air valve & 1/4" Cajon male VCR fitting on valve	A	0.25	0.50
275-DV-1/4 MVCR	2.75	Up-to-air valve & 1/4" Cajon male VCR fitting on valve	A	0.38	0.75
133-DV-1/4 FVCR	1.33	Up-to-air valve & 1/4" Cajon female VCR fitting on valve	A	0.25	0.50
275-DV-1/4 FVCR	2.75	Up-to-air valve & 1/4" Cajon female VCR fitting on valve	A	0.38	0.75
133-DV-1/4 SWAG	1.33	Up-to-air valve & 1/4" Swagelok fitting on valve	A	0.25	0.50
275-DV-1/4 SWAG	2.75	Up-to-air valve & 1/4" Swagelok fitting on valve	A	0.38	0.75
133-D1V	1.33	(1) 1/16" NPT hole & up-to-air valve	C	0.25	0.50
275-D1V	2.75	(1) 1/8" NPT hole & up-to-air valve	C	0.38	0.75
133-DTV	1.33	Thermocouple gauge tube & up-to-air valve	B	0.25	0.50
275-DTV	2.75	Thermocouple gauge tube & up-to-air valve	B	0.38	0.75
133-DTV-1/4 MVCR	1.33	Thermocouple gauge tube & up-to-air valve with 1/4" Cajon male VCR fitting on valve	B	0.25	0.50
275-DTV-1/4 MVCR	2.75	Thermocouple gauge tube & up-to-air valve with 1/4" Cajon male VCR fitting on valve	B	0.38	0.75
133-DTV-1/4 FVCR	1.33	Thermocouple gauge tube & up-to-air valve with 1/4" Cajon female VCR fitting on valve	B	0.25	0.50
275-DTV-1/4 FVCR	2.75	Thermocouple gauge tube & up-to-air valve with 1/4" Cajon female VCR fitting on valve	B	0.38	0.75
133-DTV-1/4 SWAG	1.33	Thermocouple gauge tube & up-to-air valve with 1/4" Swagelok fitting on valve	B	0.25	0.50
275-DTV-1/4SWAG	2.75	Thermocouple gauge tube & up-to-air valve with 1/4" Swagelok fitting on valve	B	0.38	0.75



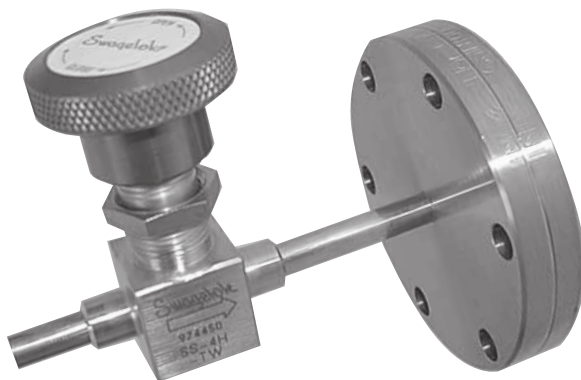
REV 6/16

Call toll free **800-824-4166** or 530-842-4457 • FAX 530-842-9130

Visit our Web Site [www.n-c.com](http://www.n-c.com)



# Flanges & Fittings - CF Straight-Through Special Purpose Flanges



## SPECIFICATIONS

### General:

Nonrotatable with clearance bolt holes

### Material

Flanges: 304 stainless steel

(316L available on request)

Gaskets: Copper, Viton

Bolts: 18-8 stainless steel

**Torque (inch /lbs):** 1.33=28, 2.75=110

### Vacuum range

Metal seal:  $\geq 1 \times 10^{-13}$  Torr - UHV

Elastomer seal:  $\geq 1 \times 10^{-8}$  Torr - High vacuum

### Temperature range

Metal seal: -200°C to 450°C

Elastomer seal: -20°C to 150°C

## CF Straight-Through Special Purpose Flanges

MODEL NUMBER	FLANGE OD	FEATURE	DIAGRAM
133-ST	1.33	(1) 1/8" NPT hole	A
275-ST	2.75	(1) 1/8" NPT hole	A
133-STT	1.33	Thermocouple gauge tube	B
275-STT	2.75	Thermocouple gauge tube	B
133-STV	1.33	Up-to-air valve	C
275-STV	2.75	Up-to-air valve	C
133-STV-1/4 MVCR	1.33	Up-to-air valve and 1/4" Cajon male VCR fitting on valve	C
275-STV-1/4 MVCR	2.75	Up-to-air valve and 1/4" Cajon male VCR fitting on valve	C
133-STV-1/4 FVCR	1.33	Up-to-air valve and 1/4" Cajon female VCR fitting on valve	C
275-STV-1/4 FVCR	2.75	Up-to-air valve and 1/4" Cajon female VCR fitting on valve	C
133-STV-1/4 SWAG	1.33	Up-to-air valve and 1/4" Swagelok fitting on valve	C
275-STV-1/4 SWAG	2.75	Up-to-air valve and 1/4" Swagelok fitting on valve	C

Diagram A

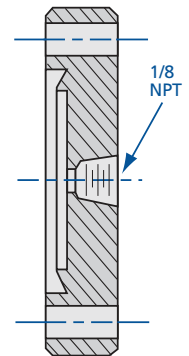


Diagram B

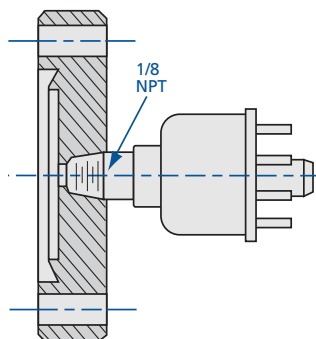
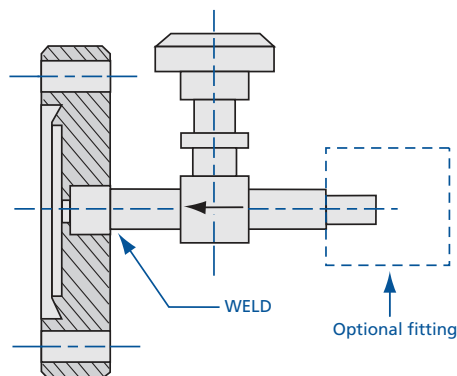


Diagram C



REV 6/16

