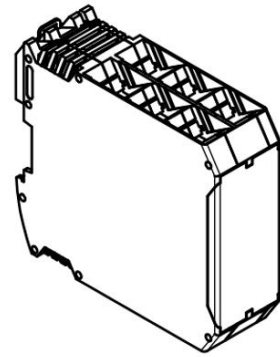


TecInterface - O₂-Sensor-Interface

Digital/Analog - converter with data logger and PC-connection
for SPS and process control

TecInterface is a 1(2) channel digital/analog converter providing the oxygen concentration as analog output signal (4 - 20mA) including 5 digital status bits and a digital output signal (RS232 or 485). The integrated data logger stores up to 32.000 measured values in a volatile ring memory (FIFO).

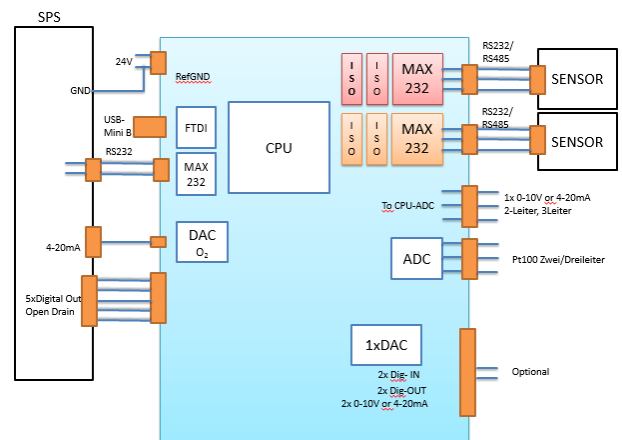
The 5 digital status bits provide information on the measurement quality and the condition of the sensor cap. Configuration is done via the built-in USB port as well as via the included software on your PC or laptop.

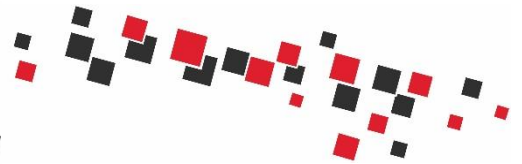


Features:

- Comfortable digital/analog interface
- Storage of 32.000 data sets
- Configurable measurement interval
- Threshold value adjustable
- Simple configuration via software
- Export of Excel compatible data files (csv-format)
- USB-Interface
- Ethernet and Bluetooth-interface via optional converter
- Interface for 3 external sensors for value standardization (sensor not included)

Analog / digital interface





TecInterface - O₂ Sensor-Interface

Digital/Analog - converter with data logger and PC-connection for SPS and process control

Technical data

Channels	2
Converter	16 Bit
Power supply	24 VDC, ca. 100 mA
Interface protocoll	UART 115kb, 8, N,1
Programming	Software included

Inputs

TecSense-Sensor	2x	RS232/RS485; galvanically separated
External Sensor	1x	0-10V; 4-20mA; 2/3-wire
External Sensor	1x	Pt100; 2/3-wire
External Sensor	1x	Digital

Outputs

RS232 or RS485	1x	Datastring incl. O ₂ -status data
USB	1x	USB-Mini B; data string incl. O ₂ -status data
Ethernet		With Converter possible
Bluetooth		With Converter possible (outside the cabinet)
Analog	1x	4-20 mA; O ₂ -concentration
Digital	5x	0 or 24 V (open drain) System/sensor cap OK Sensor cap alarm Change sensor cap /quality not guaranteed Threshold exceeded

Data logger		Ring storage, volatile
	Recording interval	0,5s - 50s
	Storage	32000 data sets
Dimensions (BxHxT)		120x25x85 mm
Mounting		Cap rail mounting
